

DC8000 Series Door Closers

PRODUCT CATALOG



Experience a safer
and more open world

Introduction

TABLE OF CONTENTS

- [Introduction.....](#) 2
- [Features.....](#) 3-5
- [Mountings.....](#) 6
- [Technical Details.....](#) 7-16
- [Arm Options.....](#) 17-20
- [Mounting Brackets.....](#) 21
- [Brackets.....](#) 22
- [Covers & Plates.....](#) 23
- [Size, Weight, Handing.....](#) 24-25
- [Helpful Terms.....](#) 26
- [How to Order.....](#) 27
- [Quick Codes.....](#) 28-29
- [Specifications.....](#) 30-31

APPLICATIONS

High-quality products and innovative designs are the foundation for the long history and reputation of Corbin Russwin Architectural Hardware. That tradition continues with the Grade 1 DC8000 Series door closer, the perfect choice for high-use openings and doors that must meet ADA requirements. A variety of arms, finishes and quality features make the easy-to-install DC8000 Series ideal for schools, office buildings, health care facilities and retail complexes. The series also meets UL10C positive pressure requirements for fire-rated openings.

QUALITY

Corbin Russwin products are engineered for quality, and the DC8000 Series is no exception. With heavy-duty construction, captured valves and a double heat-treated steel pinion, the DC8000 Series ensures quality and long-lasting performance.

SECURITY

With a new heavy-duty arm and a strong, durable cast-iron closer body, the DC8000 Series offers added muscle for high-use and high-abuse situations. Captured valves and optional Torx® security screws offer added security, making the closer highly vandal- and tamper-resistant.

KEY ADVANTAGES

- Heavy-duty forged arm
- Captured valves
- Self-drilling screws
- Double heat-treated steel pinion
- Universal Quik-Install™ bracket
- Tri-packed assembly
- Cast-iron body
- Retrofit plates
- Powder painted arms

WARNING

This product can expose you to lead which is known to the state of California to cause cancer and birth defects or other reproductive harm. For more information go to www.P65warnings.ca.gov.

Features

VERSATILITY

The DC8000 Series door closer offers a versatile, dependable and easy-to-install product, making it an ideal choice. The tri-pack assembly of regular arm, top jamb and parallel arm allows one closer to be stocked for multiple applications. A variety of features, including heavy-duty arms, cast-iron closer body and captured valves, ensure dependability and vandal resistance. Special mounting brackets and retrofit plates allow for quick installation in both new and retrofit applications.

Features	Benefits
Cast-iron closer body	Strong and durable
Heavy-duty arms	Forged 9/16" steel to withstand heavy use and abuse
Tri-packed assembly (regular arm, top jamb & parallel arm mounting), non-handed. Specify DC8210.	Allows one closer to be stocked for a variety of applications
Universal Quik-Install™ mounting bracket and door marker	Easy, foolproof installation
Multi-sized closers	Adjustable 1 through 6
Captured valves	Vandal-resistant; reduces the possibility of valve removal
Double heat-treated steel pinion	Hard-wearing
2-1/4" projection	Less noticeable, complements the opening
Regular arm allows door swing to 180° (conditions permitting)	Versatile, adjustable for specific applications or conditions
Retrofit plates	Allows DC8000 to replace LCN 4040 and 4010 series closers without modifying the door prep
Cover options	ABS (standard); metal (optional). Custom colors and plated finishes available
ADA compliant	Ideal for applications such as healthcare, schools, public buildings
ANSI/BHMA A156.4	Grade 1 certified closer
UL10C	Meets Positive Pressure Fire Test requirements
30-year warranty	Ensures long-lasting value

Features

DC8200 SERIES - MULTI-SIZED

FEATURES

Spring Power

- DC8200 Series closers: multi-sized; fully adjustable sizes 1 through 6.

Handing

- Non-handed.

Body

- Cast-iron case with seamless cold headed steel spring tube.

Arm

- Standard: heavy-duty forged steel.
- Arm options pages 17-20.

Spindle

- Cold headed heat-treated steel.

Piston

- 1-1/2" diameter; Precision machined, heat-treated steel.

Springs

- Chrome silicon wire.

Valves

- Latching speed valve, closing speed valve and backcheck valve are standard.
- Delayed action valve optional. Delayed action preset for 20 seconds. Between 90° and 70° for all mountings. To order specify M71.

Seals

- "O" rings.

Fluid

- Standard: high lubricity extreme temperature hydraulic fluid.

Degree of Opening

- Up to full 180° opening standard for regular, top jamb and parallel arm mountings, conditions permitting.

Power Adjustment Arm Bracket

- 15% adjustment standard for regular arm and top jamb (non-hold open only).

Tri-packed

- DC8210 comes with screws, brackets and soffit plates to allow for regular, top jamb and parallel arm installations.

Cover

- Standard: full ABS cover.
- Optional: full metal cover; specify M73 x hand.

Mountings

- Standard: regular and top jamb.
- Optional mountings available; see Mountings, page 6.

Mounting Bracket

- Universal Quik-Install™ mounting bracket standard.

Fasteners

- Self drilling and machine screws standard.
- Sleeve nuts and bolts (SNB) optional; specify M54.

Corrosion Protection

- Painted protective coating on all metal surfaces for use in corrosive environments. To order specify M75.

Security Package


- Includes heavy-duty parallel or regular arm, full metal cover and security Torx® machine screws. Specify M87 x arm x hand. Available arms: A2, A3, A4, A5, A10 and A13.

Warranty

- 30-year limited warranty. Refer to Corbin Russwin price book for details.

CERTIFICATION/COMPLIANCE

Barrier-Free Code Compliance

- The DC8000 Series Door Closers  listed below conform to the 5 lbf. maximum door opening force requirement for non-fire-rated interior hinged doors, according to:

Americans with Disabilities Act (ADA)

- Complies with the Accessibility Guidelines for Buildings and Facilities, Section 4.13.11

ANSI/BHMA

- Meets A156.4, Grade 1.
- Meets A117.1.
- DC8200
- DC8210
- DC8220
- These door closers are certified by Corbin Russwin Architectural Hardware to comply with the above standards when properly installed and (if applicable) adjusted, in regular arm, parallel arm and top jamb mountings.

UL10C positive pressure up to 3 hours UL-cUL

- Listed for fire and cycle requirements.

CAUTION: Door Closers for Low Opening Force Applications:

- Door closers installed in openings required to meet the requirements of the Americans With Disabilities Act or ANSI/BHMA Standard A117.1, when adjusted to meet those requirements, may not provide adequate closing power to dependably close and latch the door based on opening or site conditions.

Windstorm

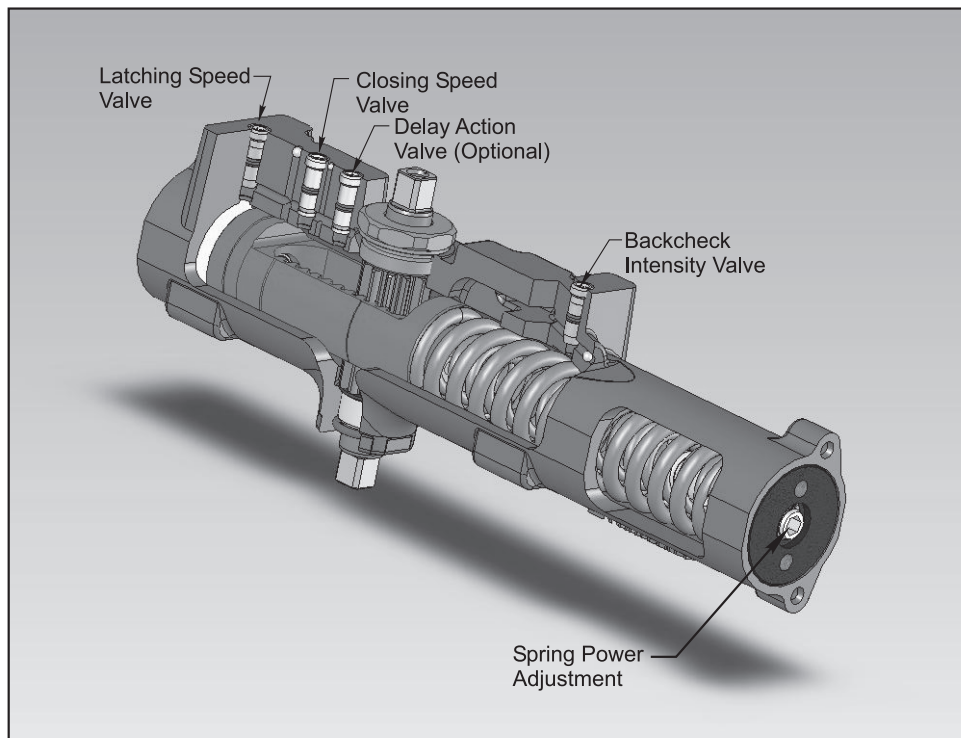
- DC8000 door closers are UL certified for inswing and outswing single and pair (up to 8'0" x 8'0") door assemblies to ICC 500 for Storm Shelters.
- Closer bodies are thru-bolt mounted to the doors.
- Additionally, the DC8000 meets FEMA 361 guidelines.
- The DC8000 closer is part of a complete ASSA ABLOY tornado and hurricane shelter solutions utilizing Ceco StormPro 361, Curries StormPro 361, Fleming F5 doors and frames and McKinney SP hinges.

Features

FINISHES

Specify	Description
600 (USP)	Primed
BHMA 605 (US3)*	Bright Brass
BHMA 606 (US4)*	Satin Brass
BHMA 611 (US9)*	Bright Bronze
BHMA 612 (US10)*	Satin Bronze
613E	Dark Oxidized Satin Bronze, Equivalent
BHMA 625 (US26)*	Bright Chromium Plated
BHMA 626 (US26D)*	Satin Chromium Plated
689 (SBL)	Silver Aluminum
690 (DBL)	Dark Bronze
691 (LBL)	Light Bronze
693 (FBL)	Black
696 (GBL)	Satin Brass
BSP	Black Suede Powder Coat
WSP	White Suede Powder Coat

*Metal cover is required for these finishes.
For split finish on closer cover and arm, specify cover finish first, then arm finish. (e.g., DC6200 x 625 x 689).



Mountings and Applications



Regular Arm Mounting DC8200 Series

Most common mounting, providing the greatest closing efficiency. Closer is mounted on the pull side, with the arm almost perpendicular to the face of the door. Arm bracket is attached to the door frame.



Parallel Arm Mounting DC8210 Series

Allows inside application of closer on out-swinging doors. Closer is mounted on the push side, with the arm almost parallel to the face of the door. Arm does not project from the opening.



Top Jamb Mounting DC8220 Series

Closer is mounted on the frame on the push side, with the arm perpendicular to the face of the door. Arm bracket is mounted on the door. Minimum 1-3/4" (44mm) top jamb required. Accommodates reveals up to 3-1/4" (83mm).



Track Mounting DC8230 Series

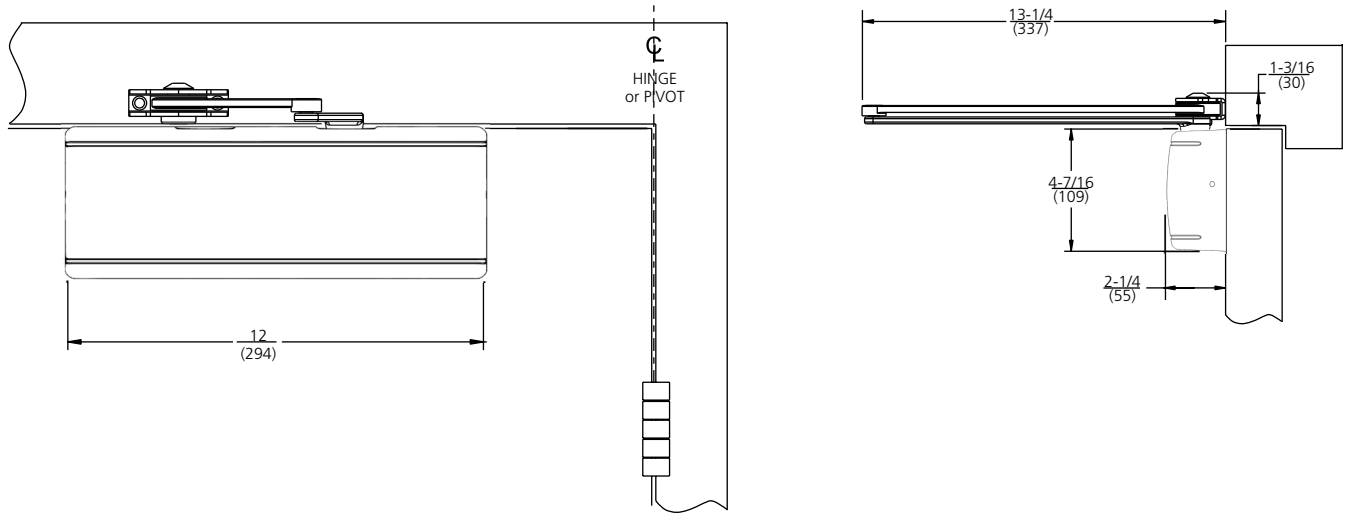
Closer is door mounted on the pull side; arm is connected to a frame-mounted track. Maximum degree of opening is 100°. Maximum closing power is size 4.



Track Mounting DC8240 Series

Closer is mounted on push side of door; arm is connected to a stop-mounted track. Maximum degree of opening is 100°. Maximum closing power is size 4.

Regular Arm Mounting



Mounting holes for Quik-Install™ bracket are spaced 1" (25mm) x 10" (254mm).

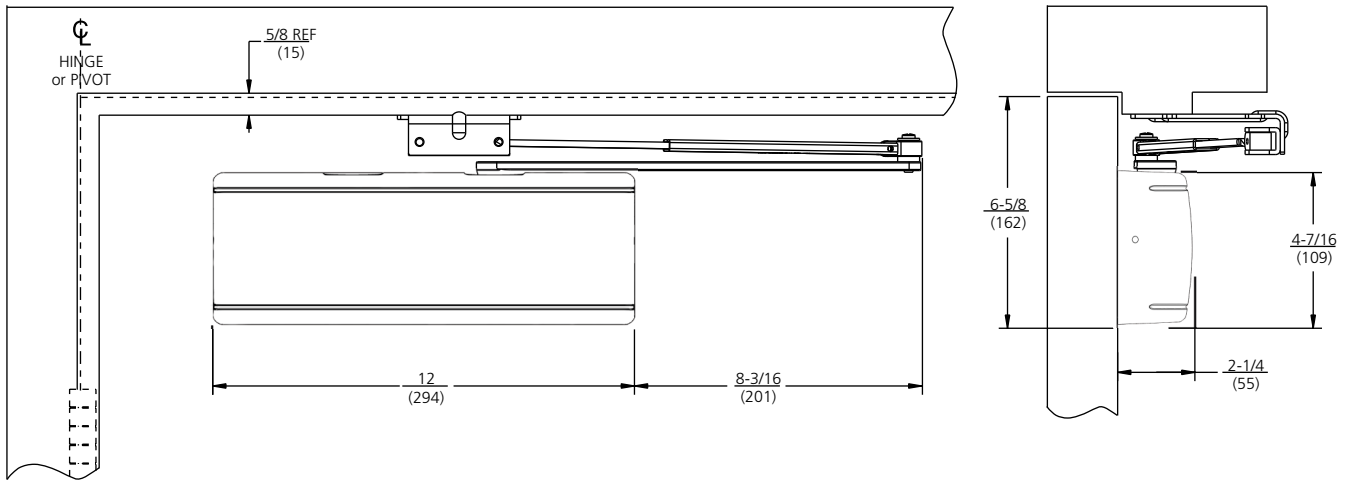
Arm Function	Minimum Header	Minimum Top Rail	Model Numbers	
Non-Hold Open	1-1/2" (38)	3" (76)	Non-Hold Open	Hold Open
Hold Open	1-11-16" (43)		DC8200^	DC8200 x A1^

^Closers are bi-packed for regular arm and top jamb mounting.

Door weight: 250 lbs.

Note: Standard door widths: interior 28"-60" (71-152cm)
 exterior 30"-54" (76-137cm)

Parallel Arm Mounting



Mounting holes for Quik-Install™ bracket are spaced 1" (25mm) x 10" (254mm).

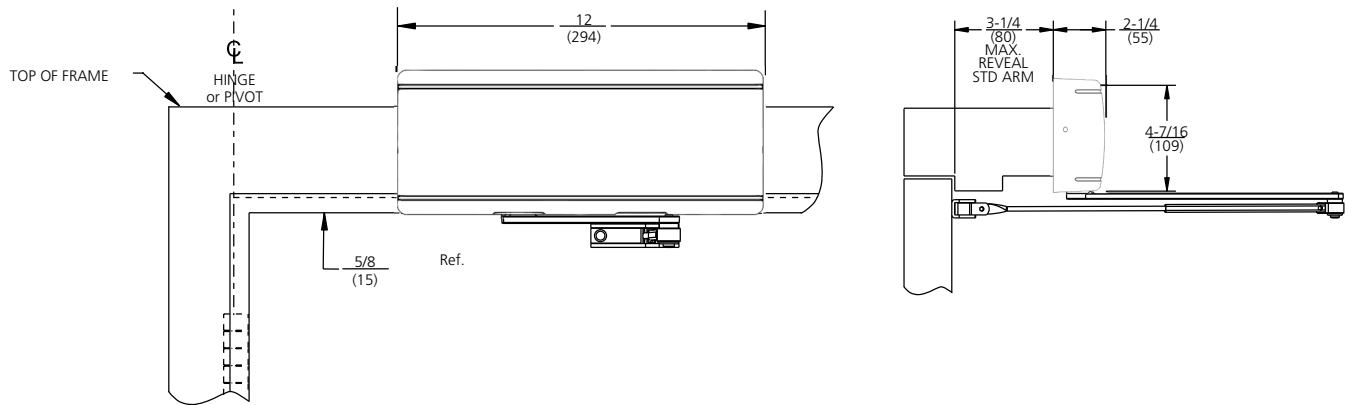
Arm Function	Minimum Top Rail	Model Numbers	
Non-Hold Open	5-1/4" (133)	Non-Hold Open	Hold Open
Hold Open		DC8210	DC8210 x A1

Standard arm closers are tri-packed.

Door weight: 250 lbs.

Note: Standard door widths: interior 28"-54" (71-137cm)
 exterior 30"-48" (76-122cm)

Top Jamb Arm Mounting



Mounting holes for Quik-Install™ bracket are spaced 1" (25mm) x 10" (254mm).

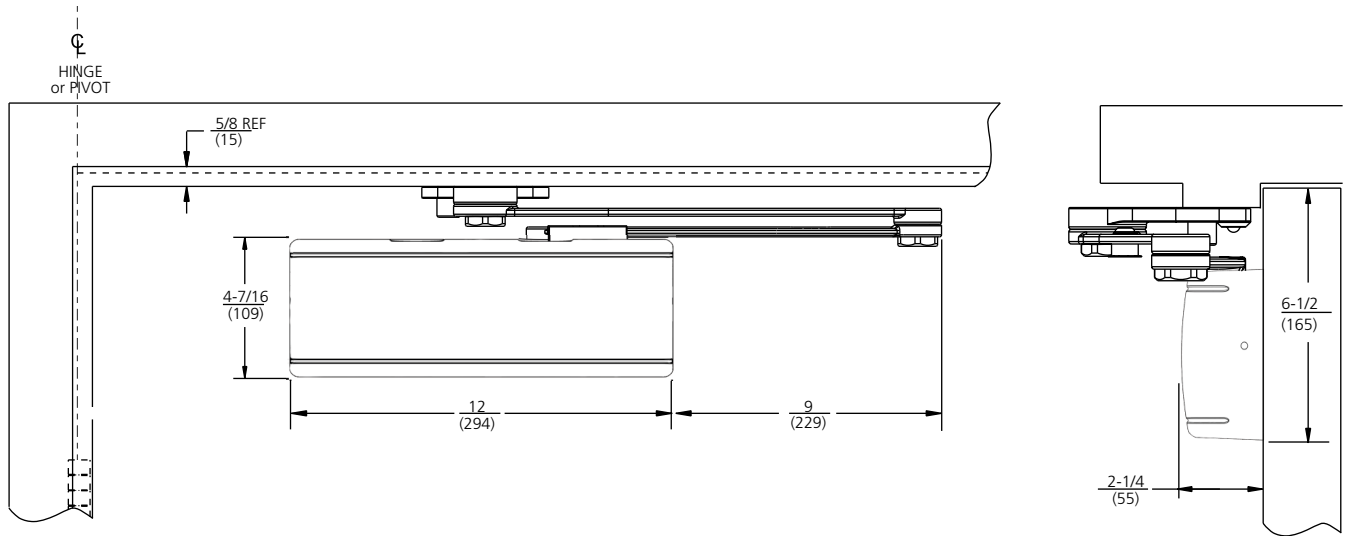
Header Width	Minimum Top Rail	Ceiling Clearance	Model Numbers	
			Non-Hold Open	Hold Open
Standard	1-7/8" (48)	4" (102)	DC8220^	DC8220 x A1^
Narrow	2-1/4" (57)	3-5/8" (92)		

^Closers are bi-packed for regular arm and top jamb mounting.

Door weight: 250 lbs.

Note: Standard door widths: interior 28"-60" (71-152cm)
 exterior 30"-48" (76-137cm)

Parallel Arm Mounting Heavy-Duty Hold Open Arm



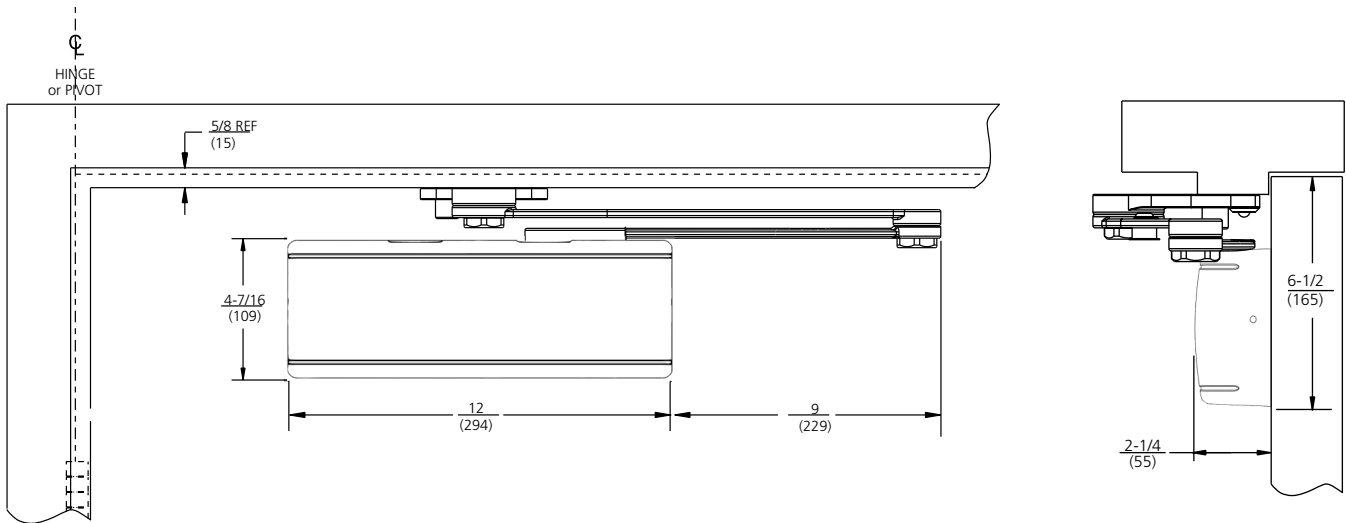
Mounting holes for Quik-Install™ bracket are spaced 1" (25mm) x 10" (254mm).

Minimum Top Rail	Model Numbers
5" (127)	Hold Open
	DC8210 x A2

Door weight: 250 lbs.

Note: Standard door widths: interior 28"-54" (71-137cm)
 exterior 30"-48" (76-122cm)

Parallel Arm Mounting Heavy-Duty Non-Hold Open Arm



Mounting holes for Quik-Install™ bracket are spaced 1" (25mm) x 10" (254mm).

Minimum Top Rail

5" (127)

Model Number

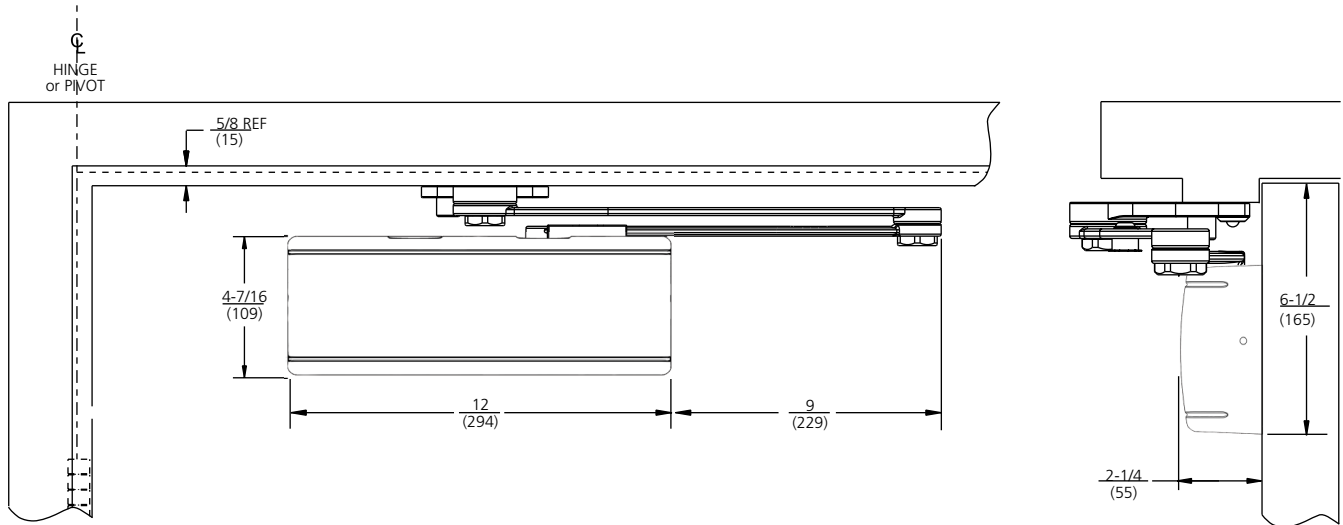
Non-Hold Open

DC8210 x A3

Door weight: 250 lbs.

**Note: Standard door widths: interior 28"-54" (71-137cm)
exterior 30"-48" (76-122cm)**

Parallel Arm Mounting Heavy-Duty Backstop Arms



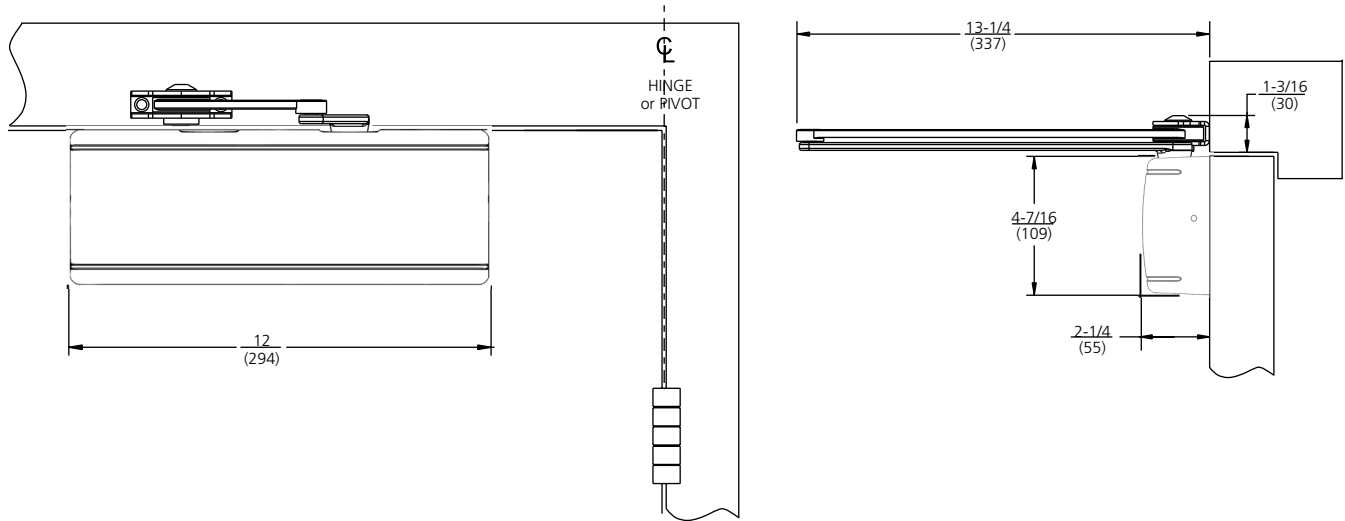
Mounting holes for Quik-Install™ bracket are spaced 1" (25mm) x 10" (254mm).

Minimum Top Rail	Model Numbers	
5" (127)	Non-Hold Open	Hold Open
	DC8210 x A4	DC8210 x A5

Door weight: 250 lbs.

Note: Standard door widths: interior 28"-54" (71-137cm)
 exterior 30"-48" (76-122cm)

Regular Arm Mounting Heavy-Duty Non-Hold Open Arms



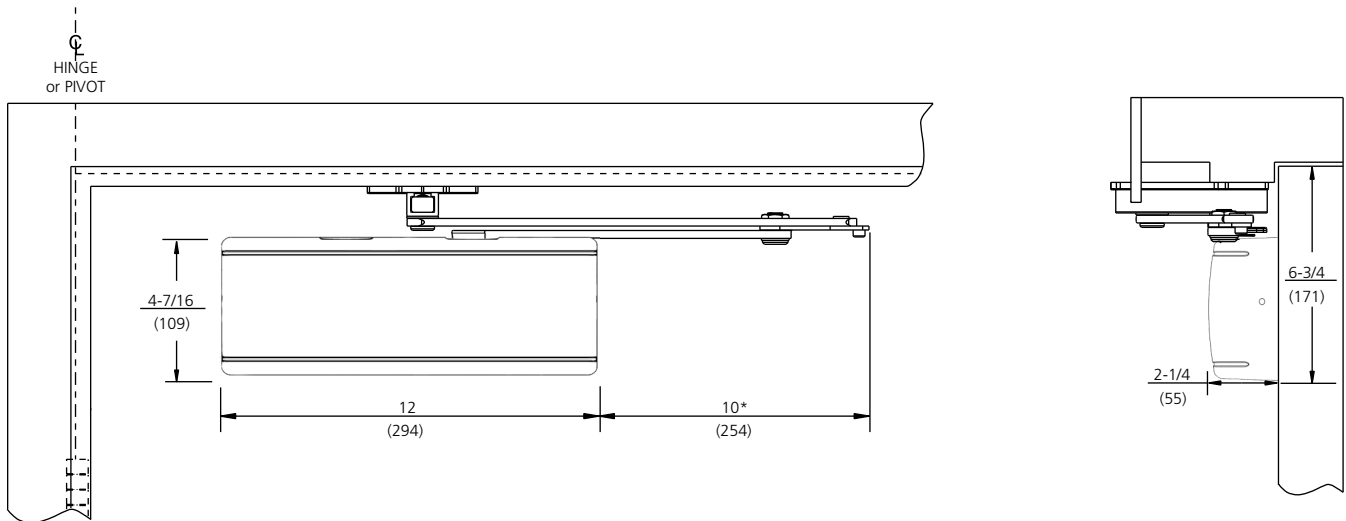
Mounting holes for Quik-Install™ bracket are spaced 1" (25mm) x 10" (254mm).

Minimum Header	Minimum Top Rail	Model Number
1-5/8" (41)	3" (76)	Non-Hold Open
		DC8200 x A10

Door weight: 250 lbs.

Note: Standard door widths: interior 28"-60" (71-152cm)
 exterior 30"-54" (76-137cm)

Unitrol® Parallel Arm Mounting



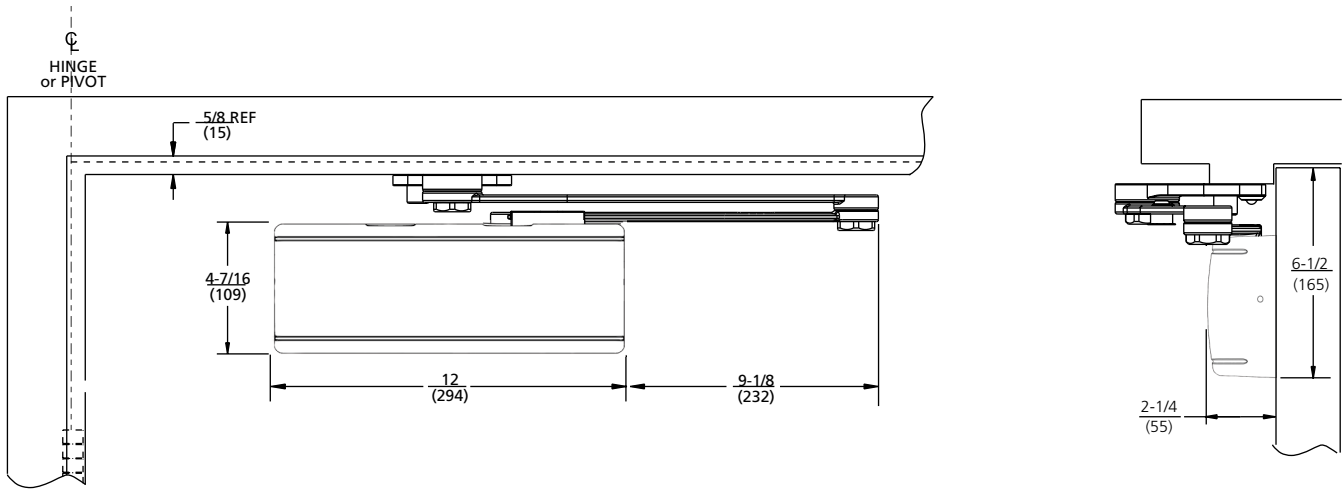
Mounting holes for Quik-Install™ bracket are spaced 1" (25mm) x 10" (254mm).
*Dimension shown for doors 33"-41"

Minimum Top Rail	Non-Hold Open	Hold Open	Specify door width (Quick Code)
5" (127)			W28 (28"-32")
	DC8210 x A11	DC8210 x A12	W33 (33"-41")
			W42 (42"-48")

Door weight: 250 lbs.

Note: Standard door widths: interior 28"-54" (71-137cm)
exterior 30"-48" (76-122cm)

Parallel Arm Mounting Heavy-Duty Friction Hold Open Arms



Mounting holes for Quik-Install™ bracket are spaced 1" (25mm) x 10" (254mm).

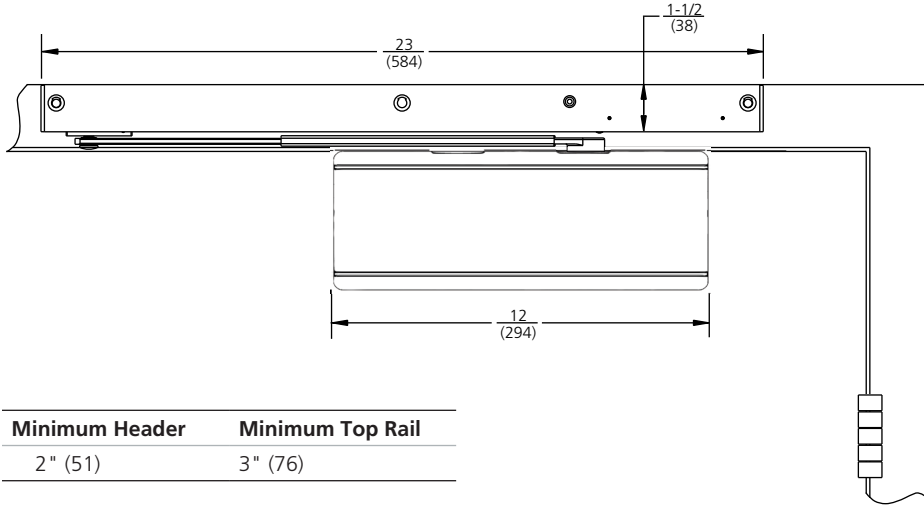
Minimum Top Rail	Model Number
5" (127)	Hold Open
	DC8210 x A14

Door weight: 250 lbs.

Note: Standard door widths: interior 28"-54" (71-137cm)
 exterior 30"-48" (76-122cm)

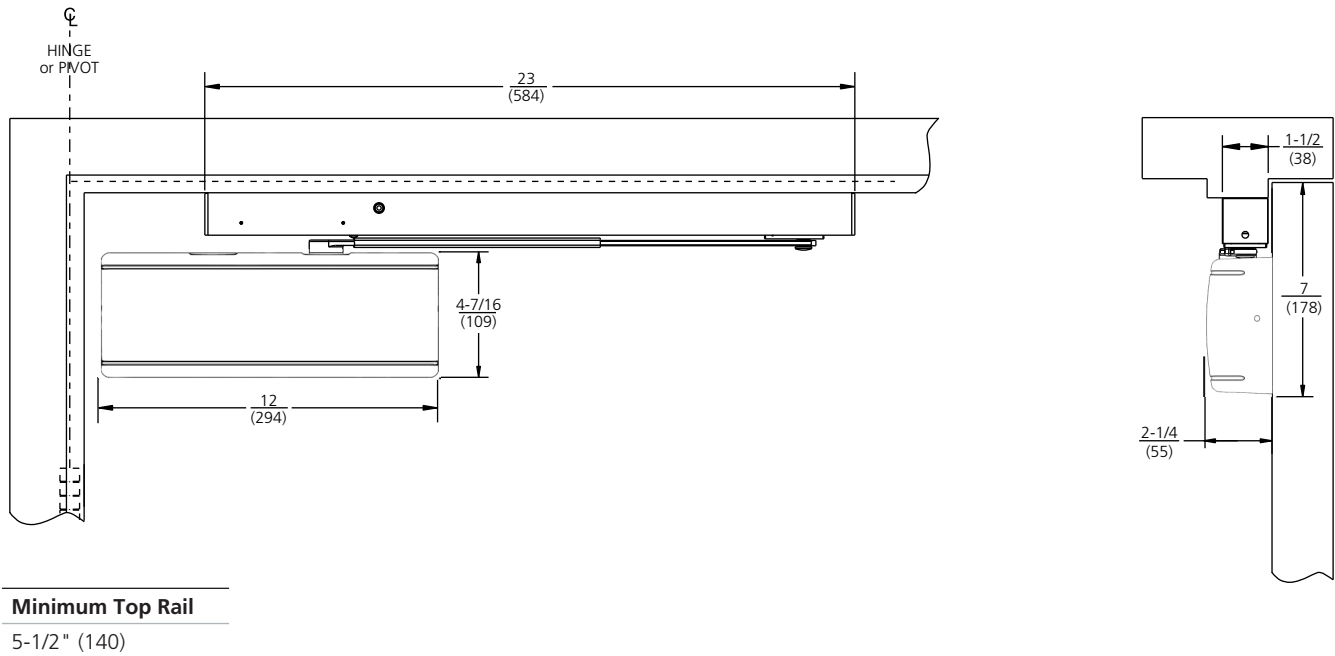
Track Applications

PULL SIDE MOUNTING - DC8230



Minimum Door Width - 27"
 Maximum Door Width - 48"
 Door weight: 250 lbs.

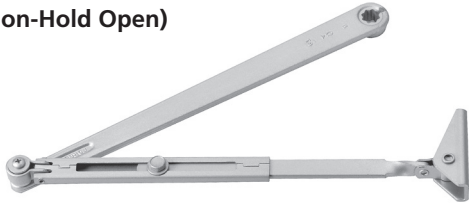
PUSH SIDE MOUNTING - DC8240



Minimum Door Width = 29"
 Mounting holes for Quik-Install™ bracket are spaced 1" (25mm) x 10" (254mm)
 Door weight: 250 lbs.

Arm Options

688F95
(Non-Hold Open)



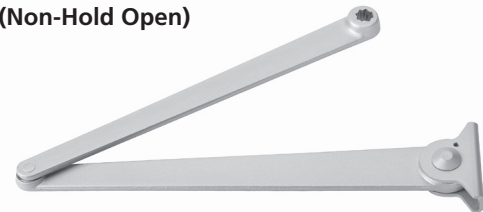
REGULAR ARM

- Used with Regular Arm mounting (pull side) and Top Jamb mounting (push side)
- Available in painted or plated finishes
- Non-hold open arm standard on the DC8200 closers
- Hold open arm optional, specify closer x **A1***

688F77
(Hold Open)



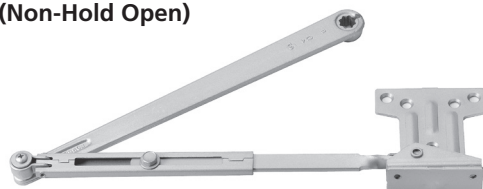
597F52
(Non-Hold Open)



HEAVY-DUTY REGULAR ARM

- Recommended for high-use, high-abuse environments
- Tamper-resistant, solid forged steel riveted arm
- Mounted on pull side
- Not available in plated finishes
- Optional on DC8200 closers, specify closer x **A10**

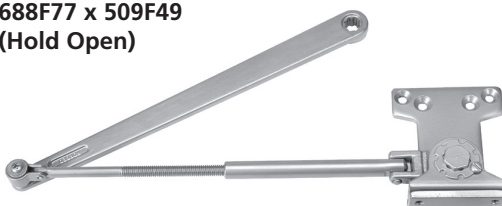
688F95 x 188F41
(Non-Hold Open)



PARALLEL ARM

- Mounted on push side
- Available in painted or plated finishes
- Non-hold open arm – combines regular arm with parallel arm mounting bracket
- Hold open arm – combines regular hold-open arm with parallel arm mounting bracket
- Non-hold open arm standard – order DC8210 series
- Hold open arm optional, specify closer x **A1***

688F77 x 509F49
(Hold Open)



Specify finish when ordering arms. *Not allowed by code on fire doors.

Arm Options

**689F02
(Non-Hold Open)**



**689F01
(Hold Open)**



HEAVY-DUTY PARALLEL ARM

- Recommended for high-use, high-abuse environments
- Tamper-resistant, solid forged steel riveted arm
- Mounted on push side
- Not available in plated finishes
- Optional on DC8210 closers
- Non-hold open arm, specify closer x **A3**
- Hold open arm, specify closer x **A2***. Hold open range 85° to 110°
- For use with overhead stops, specify closer x **A13** (non-hold open only)

**689F03
(Non-Hold Open)**



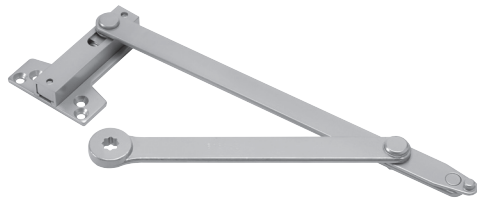
**689F04
(Hold Open)**



HEAVY-DUTY REVERSIBLE BACKSTOP PARALLEL ARM

- Recommended for high-use, high-abuse environments
- Tamper-resistant, solid forged steel riveted arm (mounted on push side)
- Field-reversible steel lug restricts degree of opening to protect door, wall and hardware
- Requires both backcheck valves on closer
- Shipped standard as left hand. Handing can be reversed in the field
- Not available in plated finishes
- Optional on DC8210 closers
- Non-hold open arm, specify closer x **A4**. Door stop range 85° to 110°
- Hold open arm, specify closer x **A5***. Door stop/hold open range 85° to 110°

(Non-Hold Open)



(Hold Open)



HEAVY-DUTY UNITROL® PARALLEL ARM

- Recommended for high-use, high-abuse environments
- Integrates a door closer, shock absorber and auxiliary heavy-duty overhead stop
- Requires both backcheck valves on the closer
- Not available in plated finishes
- Hold open*
 - Holder mechanism tension adjustable
 - Hold open can be engaged/disengaged with a 1/4 turn of the mechanism with a standard blade type screwdriver
- Optional on DC8210 closers
- Non-hold open arm, specify closer x **A11 x door width**
- Hold open arm, specify closer x **A12 x door width**

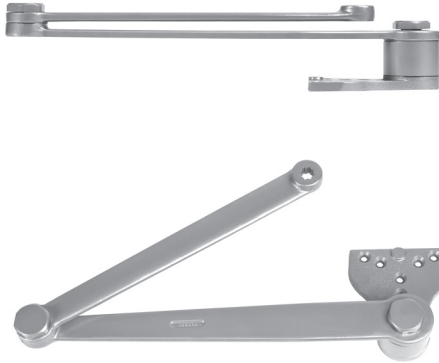
Door Width	Part Numbers	
	Non-Hold Open	Hold Open
28" - 32" (71cm - 81cm)	615F52	615F51
33" - 41" (84cm - 104cm)	615F54	615F53
42" - 48" (107cm - 122cm)	615F56	615F55

Refer to page 20 for bracket information

Specify finish when ordering arms. *Not allowed by code on fire doors.

Arm Options

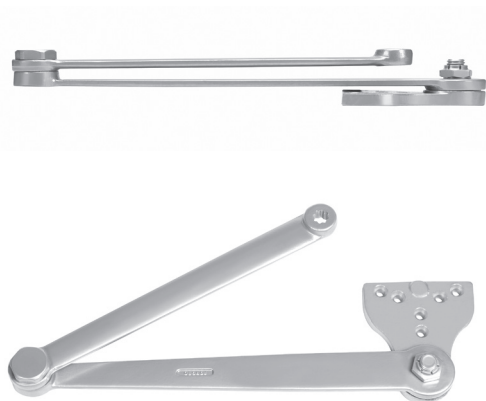
**691F96
(Non-Hold Open)**



HEAVY-DUTY EXTRA CLEARANCE PARALLEL ARM

- Recommended for high-use, high-abuse environments
- Provides additional vertical clearance
- Mounted on push side
- Not available in plated finishes
- Optional on DC8210 closers
- Non-hold open arm only, specify closer x **A13**

Standard Clearance	Closer	691F96 With Spacer	Quick Code	Total Clearance
1-3/4"	DC8210	597F92	M77	2-1/4"
		597F93	M78	2-3/8"



HEAVY-DUTY PARALLEL HOLD OPEN* ARM

- Recommended for high-use, high-abuse environment
- Requires auxiliary stop
- Allows door to swing 180°, conditions permitting
- Handed
- Mounted on push side
- Not available in plated finishes
- Optional on DC8210 closers
- Hold open arm, specify closer x **A14**

Part Number	Handing
692F04	Right Hand
692F05	Left Hand

*Not allowed by code on fire doors.

Arms and Brackets



PULL SIDE TRACK ARM

- Provides a clean aesthetic look with maximum 100° door swing and a minimum door width of 28" (71cm)
- Mounted on pull side
- Hold open can be set for 85°, 90°, 95°, or 100°
- Not available in plated finishes
- Non-hold open standard on DC8230 closers
- Hold open, specify closer x **A1***

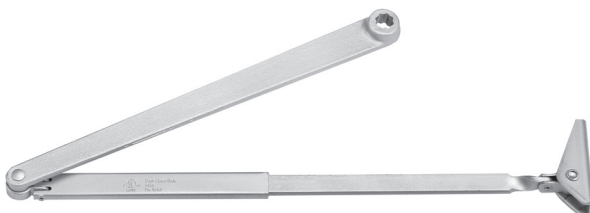
	Track Only	Arm Only
Non-Hold Open	754F09	754F16
Hold Open	754F10	



PUSH SIDE TRACK ARM

- Clean aesthetic look for doors opening a maximum of 100° and a minimum door width of 32" (81cm)
- Backcheck option recommended
- Not available in plated finishes
- Hold open*
 - From 85° to 100°
 - Turn knob offers the use the option of turning hold open on or off
- Mounted on push side

	Track and Arm	Track Only	Arm Only
Non-Hold Open	754F12	754F14	754F16
Hold Open	754F13	754F15	



DEEP REVEAL ARM (3-3/8" (86mm) - 7-1/4" (184mm))

- Accommodates top jamb mounting for reveals up to 7-1/4" (184mm), depending on door and frame conditions
- Mounted on push side
- Available in painted or plated finishes
- Optional on DC8220 closers
- Non-hold open, specify closer x **A6**
- Hold open, specify closer x **A8***

Non-Hold Open	691F72
Hold Open	691F74

Specify finish when ordering arms or tracks. *Not allowed by code on fire doors.

Mounting Brackets

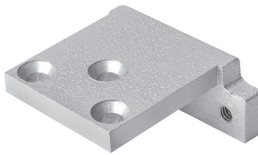
754F18



UNIVERSAL QUIK-INSTALL MOUNTING BRACKET

- Standard on all closers
- Reduces installation time
- Ensures correct mounting
- Bracket is first mounted to door or frame, then closer is attached
- Bracket size: 3-5/8" (92mm) x 11-1/2" (292mm)
- Hole spacing: 1" (25mm) x 10" (254mm)

244F17



MORTISE ARM BRACKET FOR REGULAR ARM MOUNTING

- For regular arm mounting where frame requires reinforcement, i.e., on frames with bull nose trim
- Not available in plated finishes
- Specify closer x M84

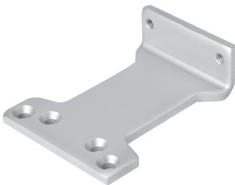
188F41



PARALLEL ARM NON-HOLD OPEN BRACKET

- Converts regular arm to parallel arm closer
- Standard with parallel arm mounting
- Packed with five screws and 691F78 spacer

509F49



PARALLEL ARM HOLD OPEN BRACKET

- Converts regular arm hold open to parallel arm hold open closer
- Standard with parallel arm hold open mounting

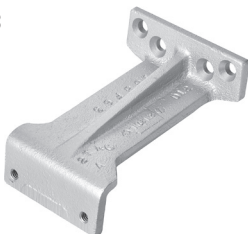
188F62



PARALLEL ARM OFFSET BRACKET

- Required when parallel arm is used in conjunction with an overhead door holder
- Specify closer x M83

188F63



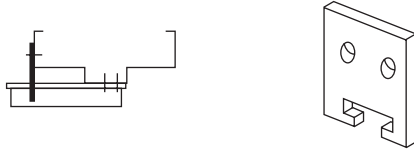
PARALLEL ARM FLUSH TRANSOM BRACKET

- Required when parallel arm mounting is used on a flush transom application
- Not available in plated finishes
- Specify closer x M82

Specify finish when ordering parts.

Brackets

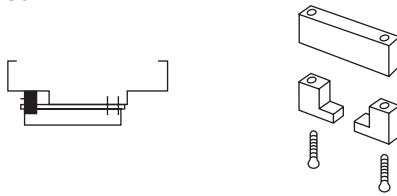
615F58



REINFORCING BRACKET

- Supplied as standard for use with A11 and A12 spring stop arms
- Provides additional support to the soffit plate on installations with door frame reveals from 1-7/8" to 4-5/8" (48 to 117mm)
- Not available in plated finishes

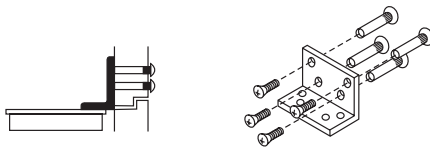
615F59



DEEP REVEAL REINFORCEMENT KIT

- For use with A11 and A12 spring stop arms
- Used to support the soffit plate on installations with wide frames. Clamps may be used with or without the spacer block, depending on frame conditions
- Not available in plated finishes
- For frames deeper than 4-5/8" (117mm), specify closer x M103

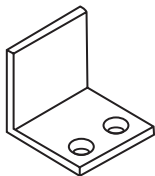
615F60



FLUSH PARTITION BRACKET

- For use with A11 and A12 Unitrol® arms where rabbeted or flush transom conditions prevent installation of the soffit plate assembly
- Bracket fastens to the overhead transom to provide a mounting surface for the soffit plate assembly
- Specify closer x M104

447F14



ANGLE SUPPORT BRACKET

- Available separately for mounting A2, A3, A4 and A5 heavy-duty arms on narrow frame or soffit conditions
- Specify closer x M85

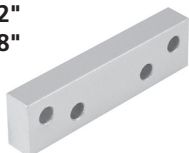
499F30



FLUSH TRANSOM BRACKET

- Available separately for mounting A2, A3, A4 and A5 heavy-duty arms on rabbeted or flush transom conditions
- Not available in plated finishes
- Specify closer x M79

597F92-1/2"
597F93-5/8"



BLADE STOP SPACER*

- Specify closer x M77 (597F92)
- Specify closer x M78 (597F93)

*Not for use with A11 or A12 arms

Maximum
Power



Normal
Power



POWER ADJUSTMENT ARM BRACKET

- Standard on all closers without hold open, except heavy-duty and track type
- In regular arm or top jamb mounting, bracket may be reversed to increase closing power 15%

Specify finish when ordering parts.

Covers and Plates

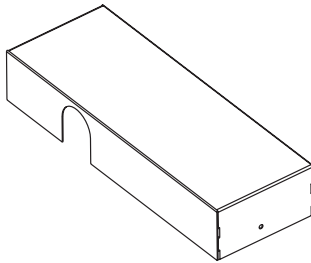
887F30



FULL ABS PLASTIC COVER

- Standard on all DC8000 series door closers
- Completely covers closer body
- Non-handed
- Dimensions: 12" (305mm) x 4-7/16" (113) x 2-1/4" (57)
- Available in painted finishes only

Note: 754F84 (legacy cover offered prior to 5/23/23) is available for a limited time. Order separately; cover will not be packed with closer.



FULL METAL COVER

- For use in high-abuse applications
- Specify hand; not field reversible
- Available in painted and plated finishes
- Dimensions: 11-7/8" (302mm) x 4-1/4" (108mm) x 2-1/8" (54mm) deep

Part Numbers

RH/LHR	LH/RHR
754F22	754F23



DROP PLATE

Permits parallel arm or top jamb mounting on door when top rail is too narrow to install closer in the regular manner. Minimum 2" (51mm) top rail required. To order separately, specify Part No. x Finish.

Closer Series

Drop Plate

DC8200	754F20
DC8200 (with concealed holder)	754F24
DC8210	754F25
DC8220	754F24
DC8230	754F20
DC8240	754F25

754F36



RETROFIT PLATE

For installation of Corbin Russwin DC8200 series closers where doors & frames have been prepared for the DC6200 series closers. To order with closers specify Closer x Quick Code.

To Replace

DC6000 Model

Part

Number

Quick

Code

Regular Arm

754F36

M101G

Parallel Arm or Top Jamb

754F46

M101H

Door Closer Sizes

FACTORS IN DETERMINING CLOSER SIZE

1 – Weight and Height of Door

Doors vary in weight from light hollow-core wood doors to heavy metal doors. Door sizes listed in the chart are based on doors of standard weight and height. Extra-light or extra-heavy weight or unusual height must be compensated for. **Contact factory if door weight exceeds 250 lbs.**

2 – Draft and Wind Conditions

Draft and wind conditions are perhaps the most important factors to consider in determining the closer size required. Sizes listed in the chart apply to normal conditions. Stairwells, air conditioning, building construction, and door location can cause strong draft and wind conditions; these may necessitate adjusting spring power to a larger size or using a closer one size larger.

3 – Location of Closer

The degree of door opening required determines the location of the closer on the door. Closer sizes listed in the chart are based on 180° opening.

4 – Special Conditions

Deep reveals require optional extended arms. A top jamb plate is required when the jamb is too narrow for a normal top jamb mounting.

5 – Code Compliance

A multi-sized, fully adjustable closer such as the DC8200 closer provides the greatest flexibility in balancing barrier-free access, security and life safety codes. However, when a manual closer is installed and adjusted to comply with ADA or any other reduced opening force requirements, it may no longer have sufficient power to close and latch the door reliably.

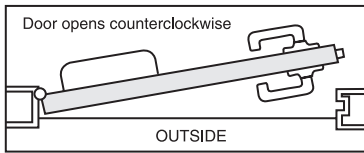
Handing

HANDING

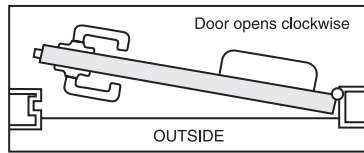
Refers to the direction a door swings; always determined from the outside of the door.

REGULAR MOUNTING

Door: left hand
Closer: left hand pull side

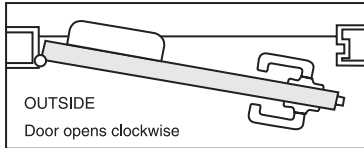


Door: right hand
Closer: right hand pull side

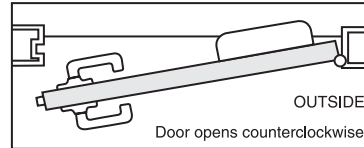


PARALLEL ARM MOUNTING

Door: left hand reverse bevel
Closer: right hand push side

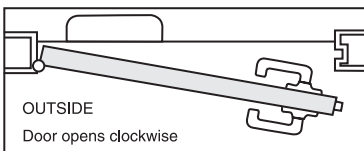


Door: right hand reverse bevel
Closer: left hand push side

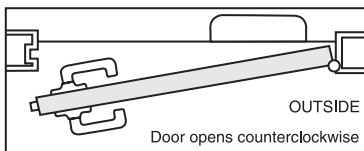


TOP JAMB MOUNTING

Door: left hand reverse bevel
Closer: right hand push side



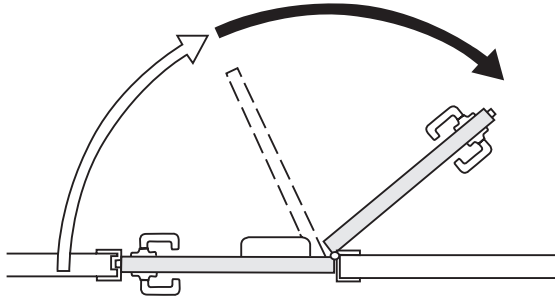
Door: right hand reverse bevel
Closer: left hand push side



Helpful Terms

Backcheck

Slows a door at approximately 70° of the opening cycle, by providing cushioned resistance to a forceful opening. Designed to protect people and objects behind the door and to prevent damage to the closer, hardware, and wall. Intensity can be increased or decreased. Not intended to act as a stop.



Closing Speed

The speed at which a door swings from the full open position to within a few degrees of latching. See Latching Speed.

Corrosion Protection

Additional painted covering on all external parts to deter oxidation and corrosion.

Delayed Action

Slows door closing speed between maximum opening and approximately 70°. Often specified to meet barrier-free codes which require longer closing times.

Door Stop

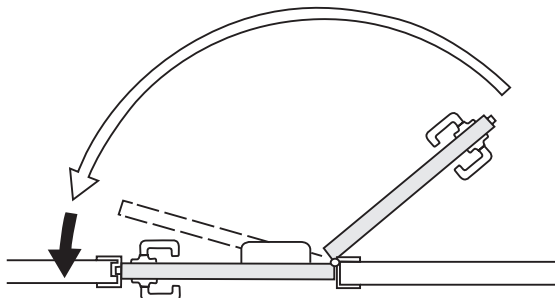
A device to stop the swing of a door.

Hold Open

Maintains door at a particular degree of opening. A mechanical hold-open may not be used on labeled fire doors, which must be self-closing.

Latching Speed

The speed of the door during the last few degrees of closing. Allows latching and prevents slamming.



Mounting

The method by which a closer is attached to the door and frame.

Backcheck Valve

Valve that changes the degree of door angle where backcheck occurs.

Multi-Sized Closer

A closer whose spring design allows full adjustment of the spring power size from 1 through 6.

Universal Quik-Install™ Mounting Bracket

Unique bracket which simplifies installation and minimizes installer fatigue.

Sex Nuts and Bolts (SNBs)

Through-bolts required for all non-steel-reinforced fire doors, and recommended for non-reinforced wood and mineral core doors.

Spring Power

A measurement of closing force, or the ability to overcome draft, air pressure, weight or other resistance to door closing.

Star Punch

An eight-point hole in the closer arm, permitting spindle pre-loading. Provides full functioning of backcheck and delayed action valves.

Universal Mounting

The ability of a closer to accommodate either hand for regular, top jamb or (using a bracket) parallel arm mounting.

How To Order

ORDERING EXAMPLES

Stock

Quantity	Series/Mounting/Size	Finish
50	DC8210	689

WHERE TO FIND ORDERING INFORMATION AND QUICK CODES

Series/Mounting/Size	Page 27
Arm	Page 28
Finish	Page 28
Handing	Page 28
Door Thickness	Page 28
Miscellaneous Options	Page 29

Job Specific

Quantity	Series/Mounting/Size	Arm	Finish	Hand	Thickness	Options
50	DC8210	A6	626	RH	D138	M71-M73

Split Finish

Quantity	Series/Mounting Size	Option	Hand	Finish	
				Cover	Arm
10	DC8210	M73	RH	626	689

Note:

- Before installing a door closer, verify the accessibility, fire, and life-safety requirements that are in effect. This includes the mounting height and projection into the clear opening. Check the adopted state and local building codes and consult the Authority Having Jurisdiction (AHJ).
- To maintain the warranty and ensure proper operation of the product, follow the installation instructions & templates and install on the inside of the building.
- Consult NFPA 80 for the hinge requirements on a fire door.
- Failure to use fasteners supplied with closer may void factory warranty.
- Optional fasteners are available for a variety of applications. Consult the door and frame manufacturer to ensure the proper fasteners are used to maintain certifications.
- Sizing charts are based on 1-3/4" x 7' standard weight doors swinging to 110°. Other application conditions (e.g. larger door heights or weight) may require larger size closer. Adjusting the spring power to meet the low opening force requirements of the Americans With Disabilities Act or ANSI/BHMA Standard A117.1, may not provide adequate closing power to dependably close and latch the door in some conditions (i.e. air movement from wind gusts or building stack pressure).

Description	Mounting	Specify
Multi-sized	Regular arm, top jamb and parallel arm	DC8210
	Track (Pull Side)	DC8230
	Track (Push Side)	DC8240

Quick Codes

Arm	Specify Quick Code
Regular non-hold open	(standard)
Hold open	A1*
Heavy-duty parallel with hold open	A2*
Heavy-duty parallel non-hold open	A3
Heavy-duty backstop non-hold open	A4
Heavy-duty backstop with hold open	A5*
Deep reveal (3-3/8" -7-1/4")	A6
Deep reveal with hold open	A8*
Heavy-duty regular non-hold open	A10
Unitrol® non-hold open (specify door width)	A11
Unitrol with hold open (specify door width)	A12*
Push side track with hold open	A1*
Heavy-duty parallel with offset	A13
Heavy-duty friction hold open	A14*

*Hold open arms cannot be used on fire doors.

Finishes		
Old Designation	Description	Specify Quick Code
USP	Primed	600
US3	Bright Brass	605*
US4	Satin Brass	606*
US9	Bright Bronze	611*
US10	Satin Bronze	612*
N/A	Dark Oxidized Satin Bronze, Equivalent	613E
US26	Bright Chromium Plated	625*
US26D	Satin Chromium Plated	626*
SBL	Silver Aluminum	689
DBL	Dark Bronze	690
LBL	Light Bronze	691
FBL	Black	693
GBL	Satin Brass	696
BSP	Black Suede Powder Coat	BSP
WSP	White Suede Powder Coat	WSP

*Metal cover is required for these finishes.

For split finish on closer cover and arm, specify cover finish first, then arm finish. (e.g., DC6200 x 625 x 689).

Handing	Specify Quick Code
Left Hand/Right Hand Reverse	LH
Right Hand/Left Hand Reverse	RH

Door Thickness	Specify Quick Code
1-3/4" (44mm)	(standard)
2" (51mm)	D200
2-1/4" (57mm)	D214

Blade Stop Spacer	Specify Quick Code
1/2"	M77
5/8"	M78

Door Width (A11 or A12 arms)	Specify Quick Code
28" - 32"	W28
33" - 41"	W33
42" - 48"	W42

Quick Codes

MISCELLANEOUS OPTIONS

Description	Specify Quick Code
Security Torx® machine screws	M04
Sex nuts and bolts (SNBs) (1-3/4" minimum thickness)	M54
Backcheck intensity valve	(standard)
Delayed action	M71
ABS plastic cover	(standard)
Full metal cover (Handed)	M73
Extreme temperature fluid	(standard)
Corrosion protection	M75
Drop plates - order by number	
Closer Series	Drop Plate Full Cover
DC8200 (Regular)	754F20
DC8200 (with concealed holder)	754F24
DC8210 (Parallel)	754F25
DC8220 (Top Jamb)	754F24
DC8230 (Pull Side)	754F20
DC8240 (Push Side)	754F25
Heavy-duty parallel arm flush transom bracket (499F30) used with all parallel arms except the Unitrol®	M79
Parallel arm flush transom bracket (parallel or A1)	M82
Parallel arm offset bracket	M83
Mortise arm bracket (for regular arm mounting)	M84
Angle support bracket	M85
Spacer (691F78) (formerly M86 quick code)	(standard)
Security package (available with A2, A3, A4, A5, A10 & A13 optional arms). Covers are handed.	M87
DC6000 retrofit plate (754F36)	M101G
DC6000 retrofit plate (754F46)	M101H
Deep reveal reinforcement kit	M103
Flush partition (used with <i>Unitrol</i> arm)	M104
Lead-lined cover	M108

Specifications

ANSI/BHMA A156.4 CERTIFIED CLOSER CROSS REFERENCE

ANSI/ BHMA Number	Function	Series	PT 4A 15% Power Adjustment	PT 4B 35% Power Adjustment	PT 4C 50% Power Adjustment	PT 4D Adjustable Backcheck	PT 4F Delayed Action	PT 4G Dead Stop	PT 4H Fully Adjustable
CO2011 (PT 1)	Hinge Side Mounting	DC8200	S	S	S	S	O	N/A	S
CO2051 (PT1)	Hinge Side Mounting	DC8200-A1	S	S	S	S	O	N/A	S
CO2021 (PT 1)	Parallel Arm Mounting	DC8210	S	S	S	S	O	O	S
CO2061 (PT 1)	Parallel Arm Mounting	DC8210-A1	S	S	S	S	O	O	S
CO2041 (PT 1)	Top Jamb Mounting	DC8220	S	S	S	S	O	N/A	S
CO2081 (PT 1)	Top Jamb Mounting	DC8220-A1	S	S	S	S	O	N/A	S
CO2231 (PT 1)	Push Side Track Mounting	DC8240	S	S	S	S	O	O	S
CO2241 (PT 1)	Push Side Track Mounting	DC8240-A1	S	S	S	S	O	O	S
CO2211 (PT 1)	Pull Side Track Mounting	DC8230	S	S	S	S	O	O	S
CO2221 (PT 1)	Pull Side Track Mounting	DC8230-A1	S	S	S	S	O	O	S

ANSI Performance Requirements: (PT 1) — 1,500,000 cycles — closer with backcheck feature.

N/A = not available

S = standard

O = option available

ANSI Options: DC8200 includes PT4-A, B, C, D, H. Optional: PT4-F, G, J.

Specifications

SUGGESTED SPECIFICATION

Door closers shall be of rack and pinion construction with a cold headed heat-treated steel spindle and a sintered steel piston precision machined and heat treated. The case shall be of cast iron. Closers shall have a heavy-duty, forged steel main arm.

Optional arms shall include parallel, hold open, heavy-duty, heavy-duty hold open, heavy-duty reversible backstop, heavy-duty reversible backstop with hold open, heavy-duty Unitrol®, heavy-duty *Unitrol* with hold open, deep reveal, top jamb track and stop mounted track.

The following size options shall be available:

Fully adjustable spring power to accommodate sizes 1 through 6.

Spring power shall be adjustable by one half size over minimum for each size.

All sizes shall be accommodated in one closer body. Closing shall be controlled by two valves — one to control closing speed and one to control latching speed. Valves shall be concealed against unauthorized adjustment and be non-critical with “O” ring seals.

Delayed action shall be available and shall be accomplished with a separate valve.

Closers shall be available with an adjustable backcheck intensity valve with a safety feature that automatically relieves internal pressure when backcheck has reached the desired adjustment level. Valves shall be accessible without removing the closer from the door.

Closers shall be available with a backcheck intensity valve. Backcheck begins at approximately 70 degrees of door opening for all applications. This valve shall be operative on regular, top jamb, parallel arm, and track type mountings.

Closers shall be surface applied with rectangular cover, and shall be devoid of manufacturer’s trademarks. Closers shall not project over 2-3/16", and shall be capable of mounting on 1-3/4" top rail or inverted mounting on 1-3/4" top jamb. Full cover and full metal cover with security fasteners shall be available. When required, metal covers shall be available in plated finishes. Closers without hold open shall be regularly furnished with power adjustment arm bracket capable of providing a 15% power adjustment. A Quik-Install™ mounting bracket to attach the closer shall be regularly furnished. Closers not having a mounting bracket shall not be acceptable. Hydraulic fluid shall be of a type requiring no seasonal valve readjustment due to extreme temperature variations.

Closers mounted regular arm, top jamb and parallel arm shall allow for full 180° door opening.

Closers with non-hold open arms shall be listed by Underwriters Laboratories.

All closers with metal covers shall be available in architectural finishes to match corresponding door hardware.

Certification:

ANSI/BHMA A156.4, Grade 1

ADA/ANSI A117.1

UL10C positive pressure up to 3 hours

UL-cUL

Closers shall carry a 30-year limited warranty.

Closers shall be Corbin Russwin (DC8200) series.

The ASSA ABLOY Group is the global leader in access solutions. Every day, we help billions of people experience a more open world.

ASSA ABLOY Opening Solutions leads the development within door openings and products for access solutions in homes, businesses and institutions. Our offering includes doors, frames, door and window hardware, locks, perimeter fencing, access control and service.



For additional information, contact your
ASSA ABLOY Door Security Solutions
sales consultant or
visit www.corbinruswin.com.

In U.S.

Corbin Russwin
Architectural Hardware
225 Episcopal Road
Berlin, CT 06037
Phone: 800-543-3658
Fax: 800-447-6714
www.corbinruswin.com

In Canada

ASSA ABLOY Door
Security Solutions Canada
160 Four Valley Drive
Vaughan, Ontario
Canada L4K 4T9
Phone: 800-461-3007
Fax: 800-461-8989
www.assaabloydss.ca