

7300 Series

Surface applied door closers

We make access in life smart and secure





7300 Series surface closers

Contents

- 3 Technical details and specifications
- 4 How to order
- Technical drawings**
- Regular mount**
- 5 × round form arm
- 5 × friction hold open
- 6 × heavy-duty cushion arm
- 6 × extra heavy-duty spring cushion arm
- Top jamb mount**
- 7 × round form arm
- 7 × friction hold open
- 8 × heavy-duty cushion arm
- 8 × extra heavy-duty spring cushion arm
- Parallel mount**
- 9 × round form arm
- 9 × friction hold open
- 10 Heavy-duty super parallel arm
- 10 × heavy-duty door saver cushion arm
- 11 × extra heavy-duty door saver spring cushion arm
- Track mount**
- 11 × pull side door mounted
- 12 × pull side frame mounted
- 12 × push side soffit mounted
- 13 × flush push side door mounted
- Accessories**
- 12 Round form arm (8 mm)
- 12 Round form arm (10 mm)
- 12 Round form arm (secured elbow) (8 mm rod)
- 12 Regular arm shoe and rod
- 13 Narrow profile arm (8 mm)
- 13 Narrow profile arm (10 mm)
- 13 Friction hold open arm
- 13 Heavy-duty cushion arm
- 14 Extra heavy-duty spring cushion arm
- 14 Heavy-duty super parallel arm
- 14 Heavy-duty door saver cushion arm
- 14 Extra heavy-duty door saver spring cushion arm
- 14 Cushion/spring cushion arm accessories
- 15 Track arm
- 15 Push side track arm
- 15 BP73 backplate
- 15 BP86 backplate
- 15 BP86T backplate
- 15 BP600C conversion plate
- 15 DP73 drop plate
- 16 DP86 drop plate
- 16 AB73 angle bracket
- 16 AB86 angle bracket
- 16 P86 Parallel arm bracket
- 16 Parallel hold open bracket
- 16 Parallel flush transom bracket
- 16 Narrow frame bracket
- 16 Flush transom bracket
- 17 Mortised jamb bracket
- 17 Parallel drop bracket
- 17 Blade stop spacer
- 17 Heavy-duty blade stop spacer
- 17 Slim plastic cover
- 17 Sex nuts

The 7300 Series closers offer modern styling for a new era of safe and reliable door control.

The 7300 Series offers a compact design and is available in an assortment of sprayed finishes to complement any opening's decor. These features, along with numerous installation options and fixed spring sizes, make this closer an ideal solution in a variety of applications

Technical details

- Fixed spring sizes 3, 4, and 5.
- Non-handed for regular, top jamb, and parallel arm applications.
- Quick and easy to install.
- Compact design.
- Two noncritical adjusting valves (sweep and latch) work to provide consistent closing speeds under a wide variety of temperatures.
- Adjustable backcheck provides cushioning when the door is abusively opened.
- Available with optional self-drilling screws for steel door and frame applications (DPK86).
- Available with optional self-tapping screws for aluminum door and frame applications (TPK86).

Certification

- ANSI/BHMA A156.4 Grade 1 certified.
- UL and CUL listed.
- Meets UL10C for positive pressure.
- CSFM approved.



Intertek

Intertek

DORMA USA quality and environmental management systems in Reamstown, PA and Steeleville, IL are certified to ISO 9001:2008 and ISO 14001:2004.



Specification

All closers shall be dormakaba 7300 Series hydraulic surface applied rack and pinion closers. The closer has two independent valves to separately control sweep and latch closing speeds and provide constant speeds when temperatures change. Standard with backcheck to provide cushioning effect in opening.

Optional specification

All 7300 closers to have slim plastic cover (COV). Closers to have arm with a selective single point hold open between 80°–170° for regular mount (FH) and 70°–175° for parallel arm mount (specify FHP). All 7300 closers to have parallel arm bracket for non-hold open parallel arm applications (P86). All closers to have sex nuts with machine screws for 1-3/4" door (SNB1) or 1-3/8" door (SNB2). Closers to have self-drilling screws for steel doors and frames (DPK86). Closers to have self-tapping screws for aluminum doors and frames (TPK86). Closers to have TORX security for all exposed fasteners (TX86).

Features	7303–7305
Fixed spring sizes	3, 4, 5
Non-handed	●
Parallel arm bracket	○
Controlled closing with two adjustment valves	180°–10° 10°–0°
Backcheck	●
Hold open	○
Self-drilling screws (DPK)	○
Self-tapping screws (TPK)	○
Tamper-resistant TORX screws	○
Slim plastic cover	○

● yes - no ○ optional * Meets 5 lb maximum opening force on 3'-0" wide interior doors.

Finishes

- Aluminum: 689
- Bronze: 691 (Dull), 690 (Statuary), or 695 (Dark Duranodic)
- Gold: 696
- Black: 693

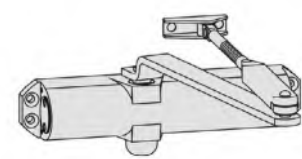
For optional custom color or Designer Color Finishes contact Customer Service.

Warranty

For details, refer to Limited Warranty on our website.

How to order 7300 Series

Series		Spring size		Cover	Finish
7300	05	04	03	COV	PNT – Special Sprayed Finish (must specify)
					696 – Gold
					695 – Dark Duranodic Bronze
					693 – Black
					691 – Dull Bronze
					690 – Statuary Bronze
					689 – Aluminum
					600 – Primed
73	04	AR		COMBO	689
Round Arm Non-Hold Open, Tri-Pack –		ARP		COMBO	– Default Fastener Pack
Round Arm Non-Hold Open, TJ 4"–8" R eveal –		ARJ		SNB1	– Sex Nuts and Machine Screws, 1-3/4"
Round Arm Non-Hold Open, Reg./TJ 0"– 4" Reveal –		AR		SNB2	– Sex Nuts and Machine Screws, 1-3/8"
Round Arm Secure Non-Hold Open, Tri-Pack –		AO8P		DPK86	– Self-Drilling
Round Arm Secure Non-Hold Open, – Reg./TJ 0"– 4" Reveal		AO 8		CMBDPK	– Std. and Self-Drilling
Friction Hold Open, Tri-Pack –		FHP		TPK86	– Self-Tapping
Friction Hold Open, TJ 4"–8" R eveal –		FHJ		CMBTPK	– Std. and Self-Tapping
Friction Hold Open, Reg./TJ 0"– 4" Reveal –		FH		TX86	– Torx Security Pack
Heavy-duty Door Saver Cushion, Parallel –		DS		AW S	– All Wood Screws
Heavy-duty Door Saver Cushion Thumb Turn Hold Open, Parallel		DST			
Extra Heavy-duty Door Saver Spring Cushion, Parallel		SD S			
Extra Heavy-duty Door Saver Spring Cushion Thumb Turn Hold Open, Parallel		SDST			
Heavy-duty Cushion, Reg./TJ 0"– 3-1/2" Reveal –		IS			
Extra Heavy-duty Spring Cushion Reg./TJ 0"– 3-1/2" Reveal –		ISH	– Heavy-duty Cushion Hold Open, Reg./TJ 0"– 3-1/2" Reveal		
		SIS			
		SISH	– Extra Heavy-duty Spring Cushion Hold Open, Reg./TJ 0"– 3-1/2" Reveal		
Heavy-duty Cushion, Top Jamb 3-1/2"–6-1/2" Reveal –		IS J			
		IS JH	– Heavy-duty Cushion Hold Open, Top Jamb 3-1/2"– 6-1/2" Reveal		
Extra Heavy-duty Spring Cushion, – Top Jamb 3-1/2"–6-1/2" Reveal		SIS J			
		SISJ H	– Extra Heavy-duty Spring Cushion Hold Open, Top Jamb 3-1/2"–6-1/2" Reveal		
Super Parallel –		SPA			
Super Parallel Thumb Turn Hold Open –		SPAT			
Track, Pull Side Door Mounted –		T			
Jamb Track, Pull Side Frame Face Mounted –		JT			
Push Track, Push Side Soffit Mounted –		PT			
Flush Track, Push Side Transom Mounted –		FT			
Track Hold Open, Pull Side Door Mounted –		TH			
		JTH	– Jamb Track Hold Open, Pull Side Frame Face Mounted		
Push Track Hold Open, – Push Side Soffit Mounted		PTH			
		FTH	– Flush Track Hold Open, Pull Side Frame Face Mounted		



Notes:

All combinations of features and options are not available for all models.

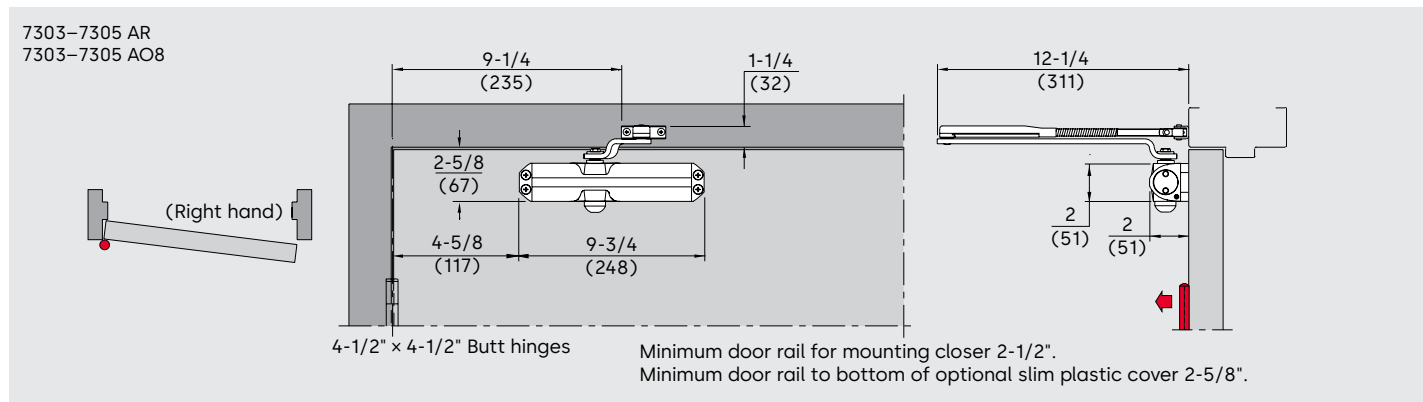
To simplify initial installation, a range of back plates (BPxx), drop plates (DPxx), brackets, and spacers are available. Refer to Accessories section for details.

Technical drawings

Technical drawing symbols & notes

- – Recommended application
- N/A – Not applicable/application not recommended

Regular × Round form arm

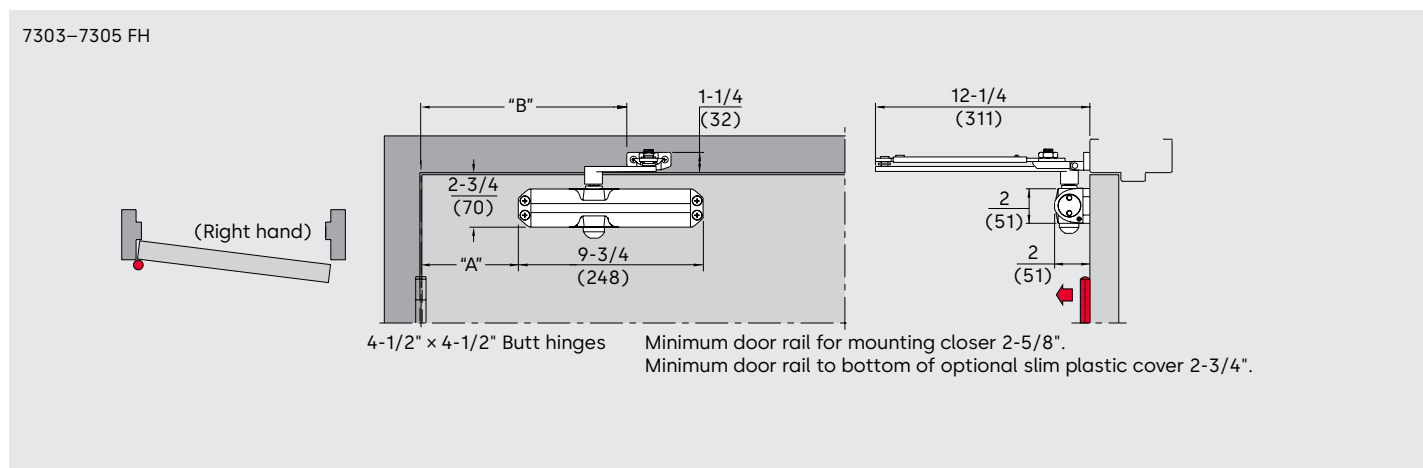


Size selection chart

Closer	Interior/ Exterior	Door width				
		2'-0" min.	2'-6" max.	3'-0" max.	3'-6" max.	4'-0" max.
7303–	Interior	N/A	N/A	7303	7304	7305
7305	Exterior	N/A	7303	7304	7305	N/A

Approx. maximum opening	Approx. backcheck
180°	65°–180°

Regular × Friction hold open



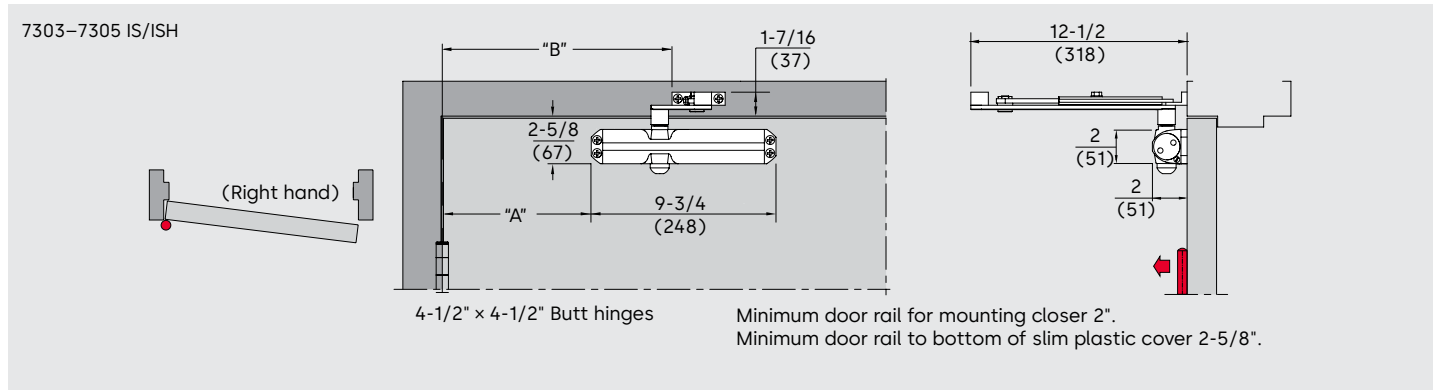
Size selection chart

Closer	Interior/ Exterior	Door Width				
		2'-0" min.	2'-6" max.	3'-0" max.	3'-6" max.	4'-0" max.
7303–	Interior	N/A	N/A	7303	7304	7305
7305	Exterior	N/A	7303	7304	7305	N/A

Template ref.	Dim "A"	Dim "B"	Approx. max opening	Approx. backcheck	Min. hold open	Max. hold open
To 100°	7-1/8" (181)	12-5/8" (321)	110°	65°–110°	80°	110°
To 120°	6-1/8" (155)	11-5/8" (295)	125°	70°–125°	90°	125°
Over 100°	3-5/8" (92)	9-1/8" (232)	180°	85°–180°	100°	170°

Technical drawings

Regular x heavy-duty cushion arm



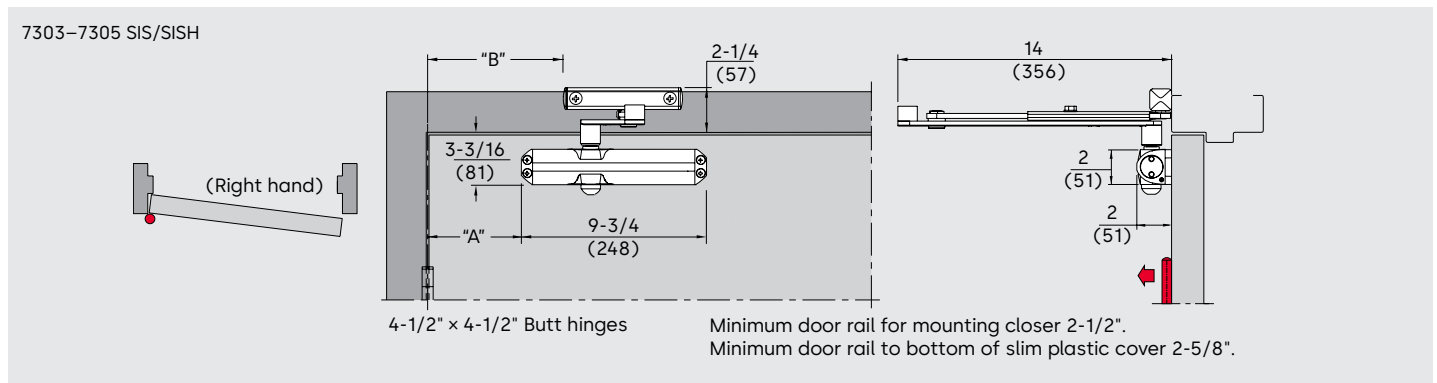
Size selection chart

Closer	Interior/ Exterior	Door width				
		2'-0" min.	2'-6" max.	3'-0" max.	3'-6" max.	4'-0" max.
7303 –	Interior	N/A	N/A	7303	7304	7305
7305	Exterior	N/A	7303	7304	7303	N/A

Maximum opening	Dim "A"	Dim "B"	Approx. backcheck
85°	7-11/16" (195)	13-7/8" (352)	55°–85°
90°	7" (178)	13-1/2" (343)	60°–90°
95°	6-3/16" (157)	13-1/4" (337)	65°–95°
100°	6-1/8" (156)	12-5/8" (321)	70°–100°
105°	5-11/16" (144)	12-1/4" (311)	75°–105°
110°	5-1/4" (133)	11-7/8" (302)	75°–110°

* Hold Open is approximately 5°–7° less than the cushion angle listed in the chart.

Regular x extra heavy-duty spring cushion arm



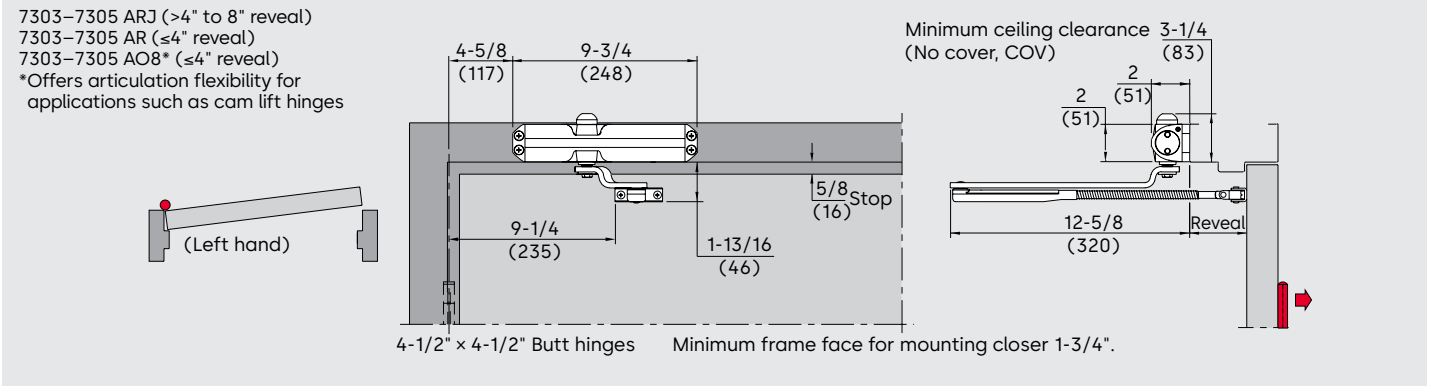
Size selection chart

Closer	Interior/ Exterior	Door width				
		2'-0" min.	2'-6" max.	3'-0" max.	3'-6" max.	4'-0" max.
7303 –	Interior	N/A	N/A	7303	7304	7305
7305	Exterior	N/A	7303	7304	7303	N/A

Template ref.	Dim "A"	Dim "B"	Approx. backcheck
85°	9" (229)	11-9/16" (294)	55°–85°
90°	8-1/2" (215)	11-1/16" (281)	60°–90°
100°	7-1/2" (191)	10-1/16" (256)	70°–100°
110°	6-3/4" (172)	9-5/16" (237)	75°–110°

* Hold Open is approximately 5°–7° less than the cushion angle listed in the chart.

Top jamb × Round form arm



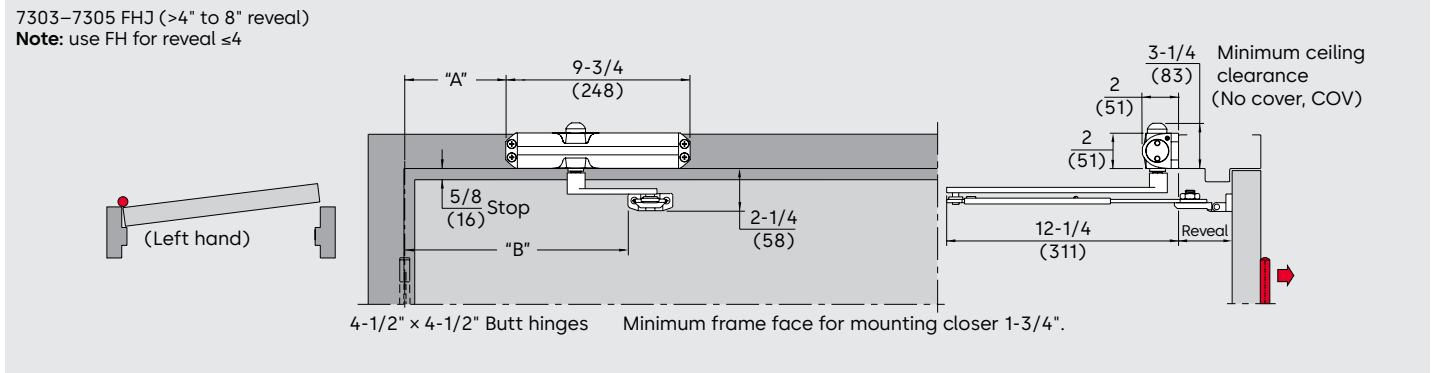
Size selection chart

Closer	Interior/ Exterior	Door width				
		2'-0" min.	2'-6" max.	3'-0" max.	3'-6" max.	4'-0" max.
7303	Interior	N/A	N/A	7303	7304	7305
7305	Exterior	N/A	7303	7304	7303	N/A

Template ref.	Reveal	Arm	Approx. max. opening	Approx. backcheck
To 180°	0"	AR	180°	70°–180°
	4"	AR	180°	75°–180°
	>4"	ARJ	180°	75°–180°
	8"	ARJ	165°	80°–165°

Note: Bold type shows supplied arm.

Top jamb × Friction hold open



Size selection chart

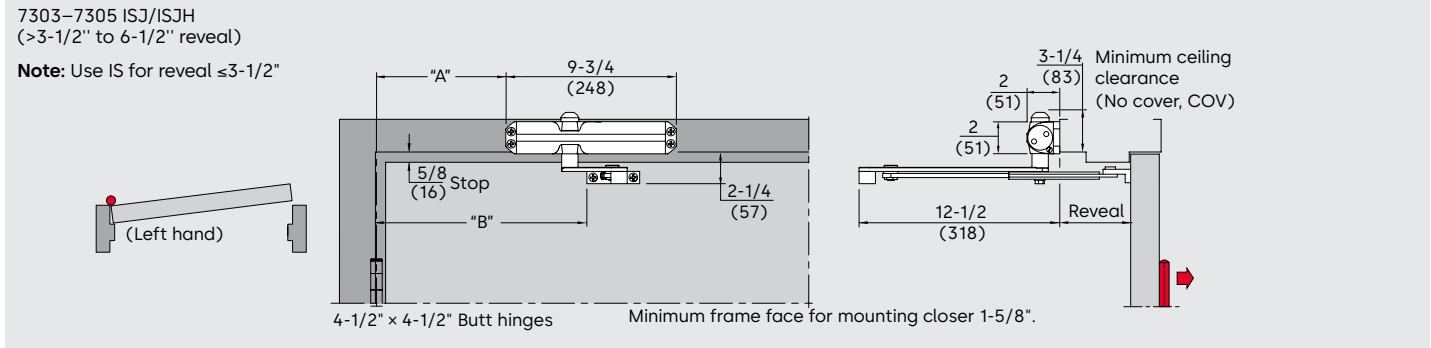
Closer	Interior/ Exterior	Door width				
		2'-0" min.	2'-6" max.	3'-0" max.	3'-6" max.	4'-0" max.
7303	Interior	N/A	N/A	7303	7304	7305
7305	Exterior	N/A	7303	7304	7303	N/A

Template ref.	Dim "A"	Dim "B"	Reveal	Arm	Approx. max. opening	Approx. backcheck	Min. hold open	Max. hold open
To 100°	7-5/8" (194)	13-1/8" (333)	0"	FH	110°	70°–110°	70°	105°
			4"	FH	105°	75°–105°	70°	100°
			>4"	FHJ	105°	75°–105°	70°	100°
			8"	FHJ	100°	80°–100°	70°	95°
To 120°	6-1/8" (155)	11-5/8" (295)	0"	FH	125°	75°–125°	75°	120°
			4"	FH	120°	80°–120°	75°	115°
			>4"	FHJ	120°	80°–120°	75°	115°
			8"	FHJ	115°	85°–115°	75°	110°
Over 120°	3-5/8" (92)	9-1/8" (232)	0"	FH	180°	85°–180°	80°	170°
			4"	FH	180°	90°–180°	80°	170°
			>4"	FHJ	180°	90°–180°	80°	170°
			8"	FHJ	165°	100°–165°	85°	155°

Note: Bold type shows supplied arm.

Technical drawings

Top jamb x heavy-duty cushion arm



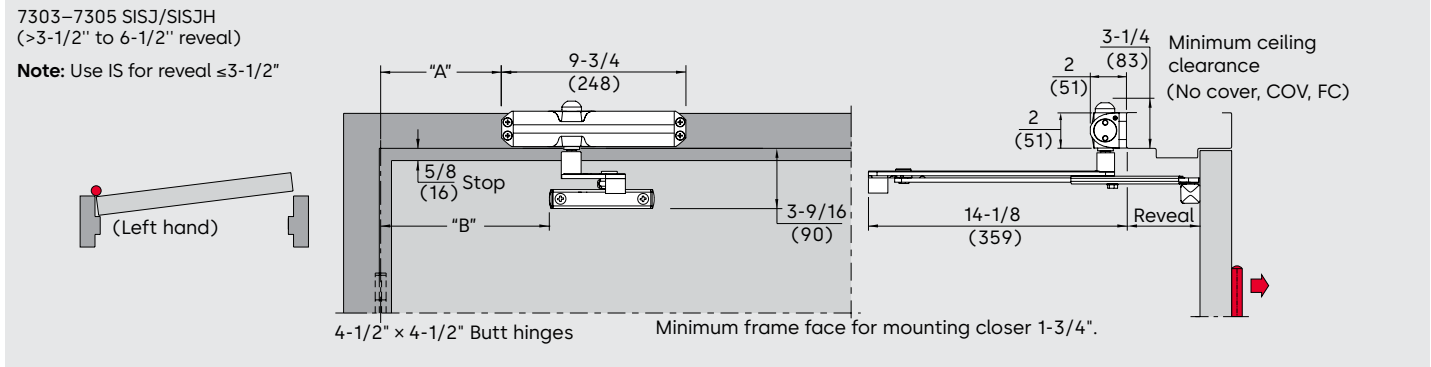
Size selection chart

Closer	Interior/ Exterior	Door width				
		2'-0" min.	2'-6" max.	3'-0" max.	3'-6" max.	4'-0" max.
7303	Interior	N/A	N/A	7303	7304	7305
7305	Exterior	N/A	7303	7304	7303	N/A

Template ref.	Dim "A"	Dim "B"	Reveal	Arm	Approx. backcheck
85°	6-1/2" (165)	12-5/8" (321)	0"-3-1/2"	IS	55°-85°
			>3-1/2"-6-1/2"	ISJ	55°-85°
90°	5-3/4" (146)	12-1/8" (308)	0"-3-1/2"	IS	60°-90°
			>3-1/2"-6-1/2"	ISJ	60°-90°
95°	5-1/2" (140)	11-3/4" (298)	0"-3-1/2"	IS	65°-95°
			>3-1/2"-6-1/2"	ISJ	65°-95°
100°	5-1/4" (133)	11-1/4" (286)	0"-3-1/2"	IS	70°-100°
			>3-1/2"-6-1/2"	ISJ	70°-100°
105°	5" (127)	11" (279)	0"-3-1/2"	IS	75°-105°
			>3-1/2"-6-1/2"	ISJ	75°-105°
110°	4-3/4" (121)	10-3/4" (273)	0"-3-1/2"	IS	75°-110°
			>3-1/2"-6-1/2"	ISJ	75°-110°

* Hold Open is approximately 5°-7° less than the cushion angle listed in the chart.
Note: Bold type shows supplied arm.

Top jamb x extra heavy-duty spring cushion arm



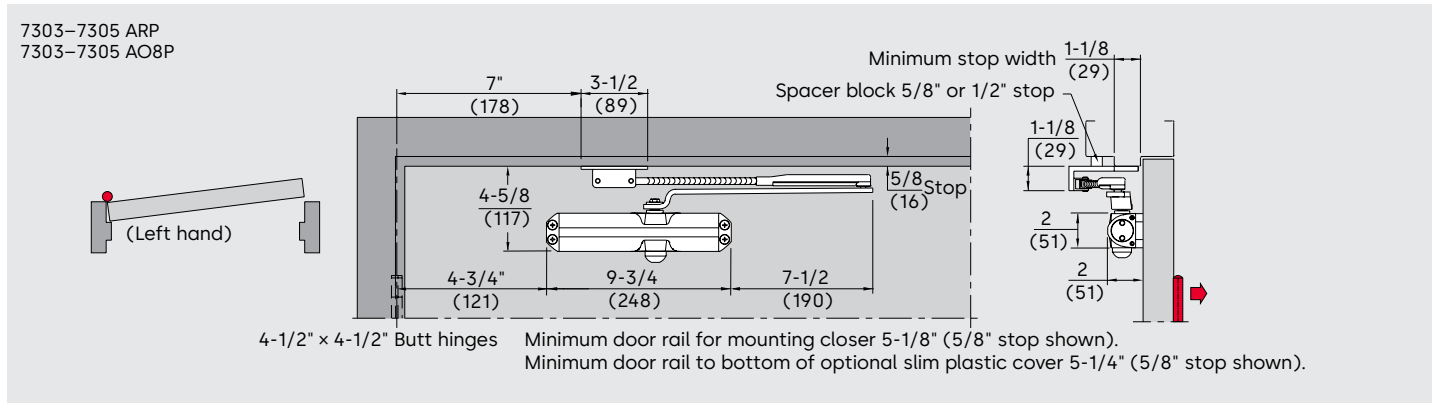
Size selection chart

Closer	Interior/ Exterior	Door width				
		2'-0" min.	2'-6" max.	3'-0" max.	3'-6" max.	4'-0" max.
7303	Interior	N/A	N/A	7303	7304	7305
7305	Exterior	N/A	7303	7304	7303	N/A

Template ref.	Dim "A"	Dim "B"	Reveal	Arm	Approx. backcheck
85°	8-1/2" (216)	11-1/16" (281)	0"-3-1/2"	SIS	55°-85°
			>3-1/2"-6-1/2"	SISJ	55°-85°
90°	7-7/8" (200)	10-7/16" (266)	0"-3-1/2"	SIS	60°-90°
			>3-1/2"-6-1/2"	SISJ	60°-90°
100°	7" (178)	9-9/16" (243)	0"-3-1/2"	SIS	70°-100°
			>3-1/2"-6-1/2"	SISJ	70°-100°
110°	6-3/8" (162)	8-15/16" (227)	0"-3-1/2"	SIS	75°-110°
			>3-1/2"-6-1/2"	SISJ	75°-110°

* Hold Open is approximately 5°-7° less than the cushion angle listed in the chart.
Note: Bold type shows supplied arm.

Parallel arm × Round form arm



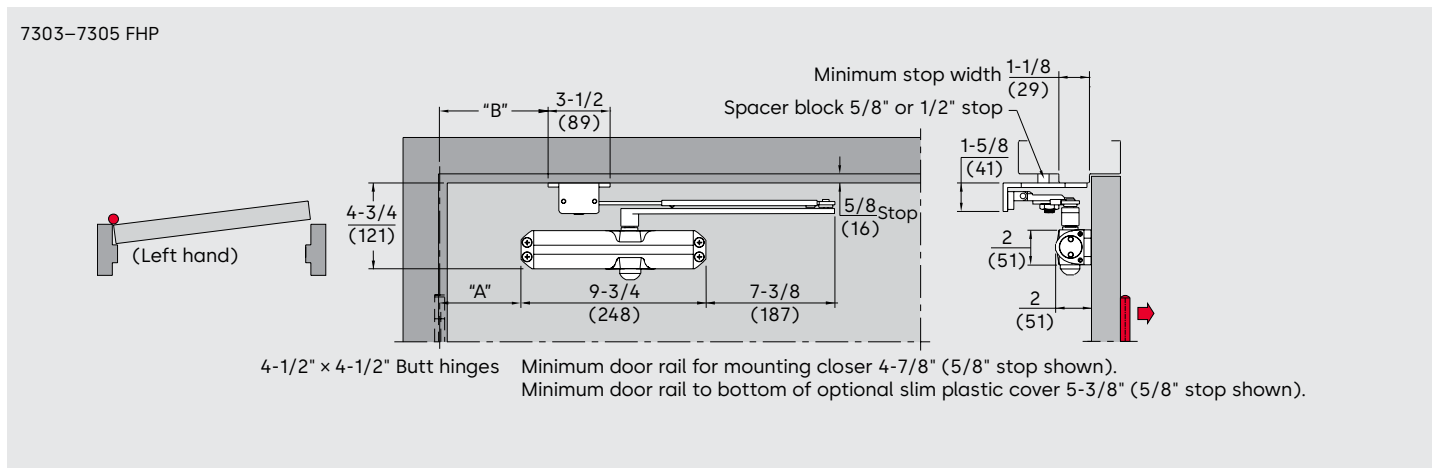
Size selection chart

Closer	Interior/ Exterior	2'-6" max.	3'-0" max.	3'-6" max.
7303 —	Interior	7303	7304	7305
7305	Exterior	7303	7305	N/A

Template ref.

Template ref.	Approx. max. opening	Approx. backcheck	Min. door width
To 180°	180°	75°-180°	24"

Parallel arm × Friction hold open



Size selection chart

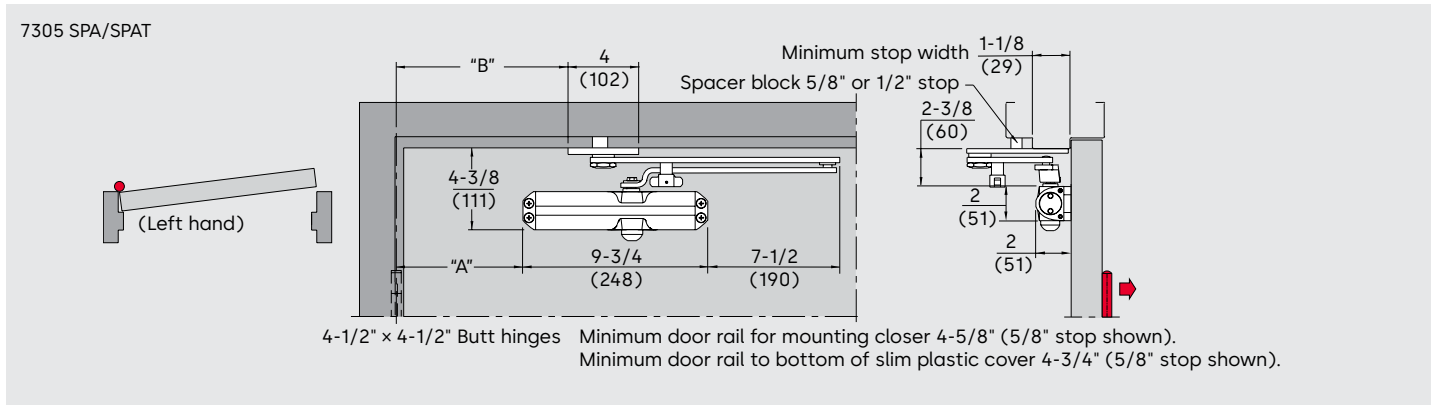
Closer	Interior/ Exterior	2'-6" max.	3'-0" max.	3'-6" max.
7303 —	Interior	7303	7304	7305
7305	Exterior	7303	7305	N/A

Template ref.

Template ref.	Dim "A"	Dim "B"	Approx. max. opening	Approx. backcheck	Min. hold open	Max. hold open	Min. door width
To 100°	6-3/4" (171)	9" (228)	110°	80°-110°	45°	105°	29"
Over 100°	4-1/4" (108)	6-1/2" (165)	180°	95°-180°	45°	175°	24"

Technical drawings

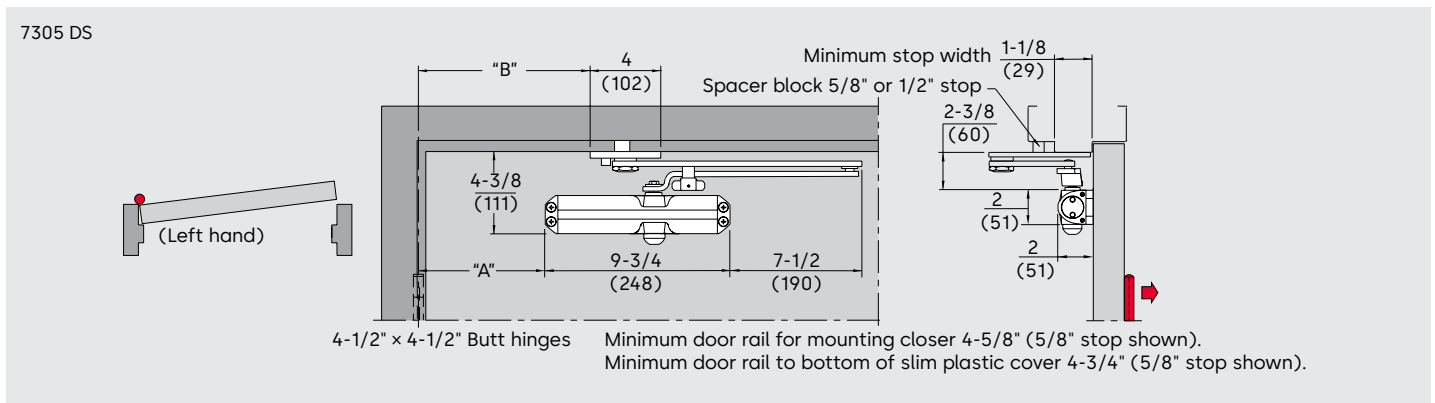
Heavy-duty super parallel arm



Size selection chart

Closer	Interior/ Exterior	3'-0" max. 3'-6" max.		Angle of opening/ hold open	Dim "A"	Dim "B"	Approx. max. opening	Approximate backcheck	Min. door width
7305	Interior	N/A	7305	To 100° H.O. 90°	6-13/16" (173)	9-1/8" (232)	100°	60°-100°	26"
	Exterior	7305	N/A	To 180° H.O. 123°	3-3/16" (81)	5-1/2" (140)	180°	80°-180°	23"

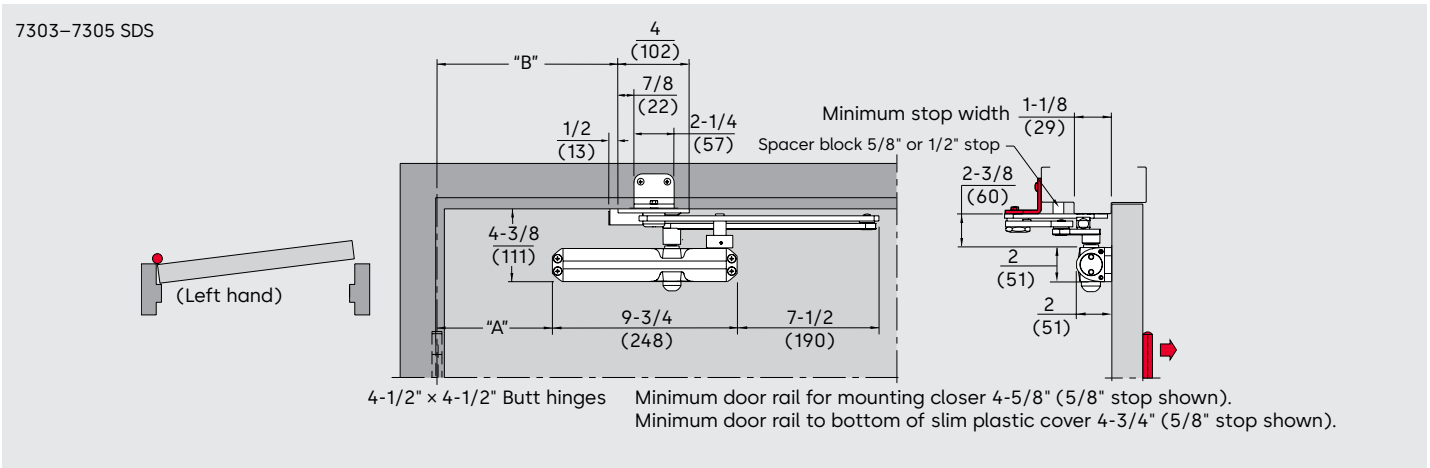
Parallel x heavy-duty door saver x cushion arm



Size selection chart

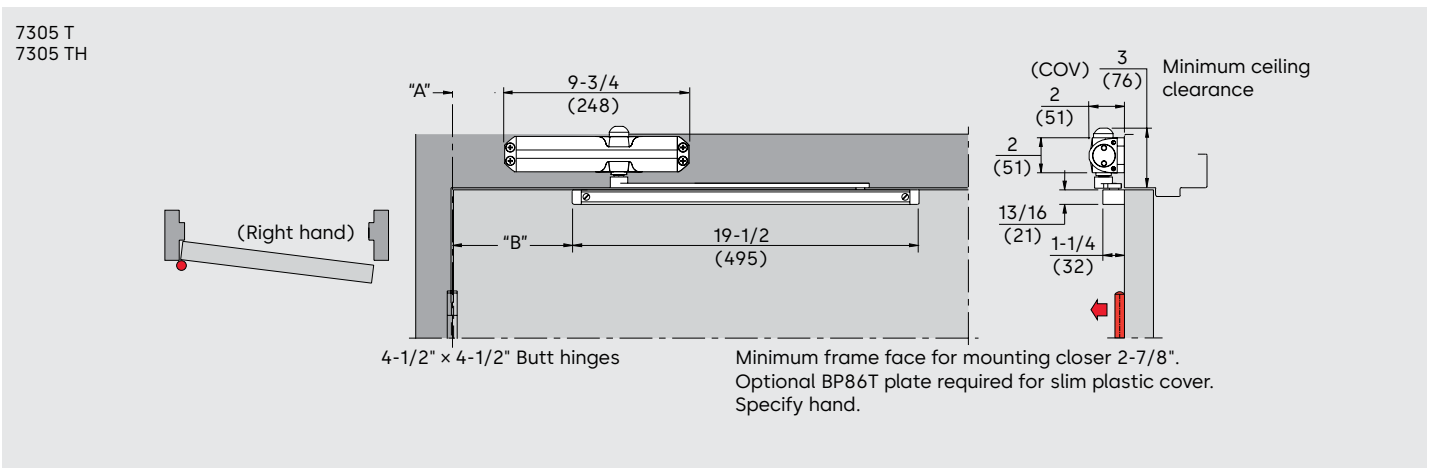
Closer	Interior/ Exterior	3'-0" max. 3'-6" max.		*Maximum opening	Dim "A"	Dim "B"	Approx backcheck	Min. door width
7305	Interior Exterior	N/A 7305 7305 N/A		85°	7-3/16" (183)	10" (254)	50°-85°	26"
				90°	6-5/16" (160)	9-1/4" (235)	55°-90°	25"
				100°	5-3/16" (132)	8" (203)	60°-100°	24"
				110°	3-15/16" (100)	6-7/8" (175)	65°-100°	23"

Parallel x Extra heavy-duty door saver spring cushion arm



Size selection chart				*Max. opening	Dim "A"	Dim "B"	Approx backcheck	Min. door width
Closer	Interior/Exterior	3'-0" max.	3'-6" max.	85°	7-3/16" (183)	10" (254)	50°-85°	26"
		7305	N/A	90°	6-5/16" (160)	9-1/4" (235)	55°-90°	25"
	Interior/Exterior	N/A	7305	100°	5-3/16" (132)	8" (203)	60°-100°	24"
		7305	N/A	110°	3-15/16" (100)	6-7/8" (175)	65°-100°	23"

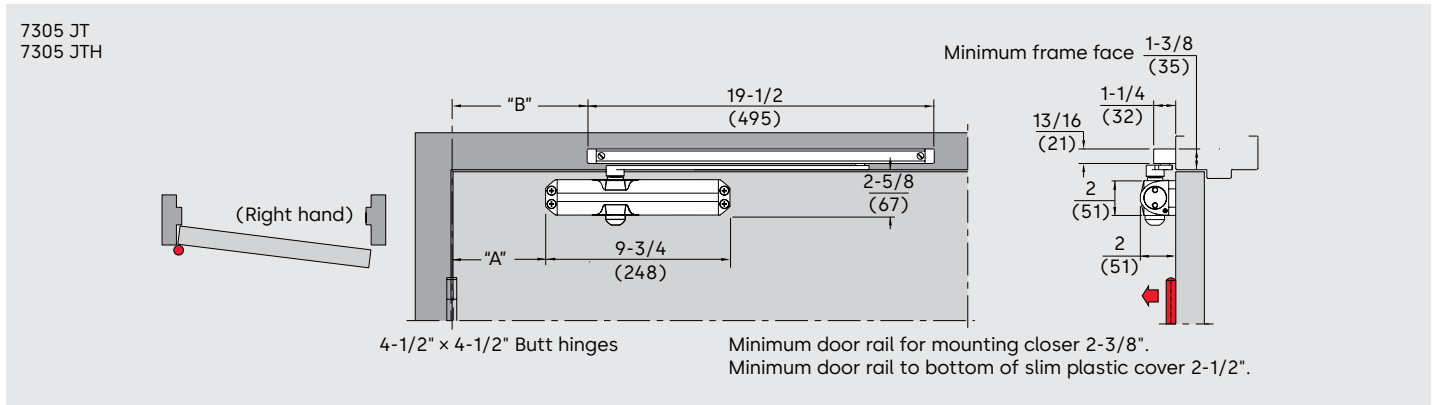
Track x Pull side door mounted



Size selection chart						*Max. opening	Dim "A"	Dim "B"	Max. hold open	Approx backcheck	Approx. delayed aciton	Min. door width
Closer	Interior/Exterior	2'-6" max.	3'-0" max.	3'-6" max.	4'-0" max.	85°	3-7/8" (98)	9-5/8" (244)	83°	65°-85°	85°-65°	31"
		7305	Interior	•	•	N/A	90°	3-7/8" (98)	8-5/8" (219)	88°	65°-90°	90°-65°
	Interior/Exterior	N/A	•	N/A	N/A	110°	2-5/8" (67)	6-3/4" (171)	108°	70°-110°	110°-70°	27"
		7305	Exterior	•	N/A	N/A	180°	2-1/8" (54)	4-1/8" (105)	160°	80°-180°	180°-80°

Technical drawings

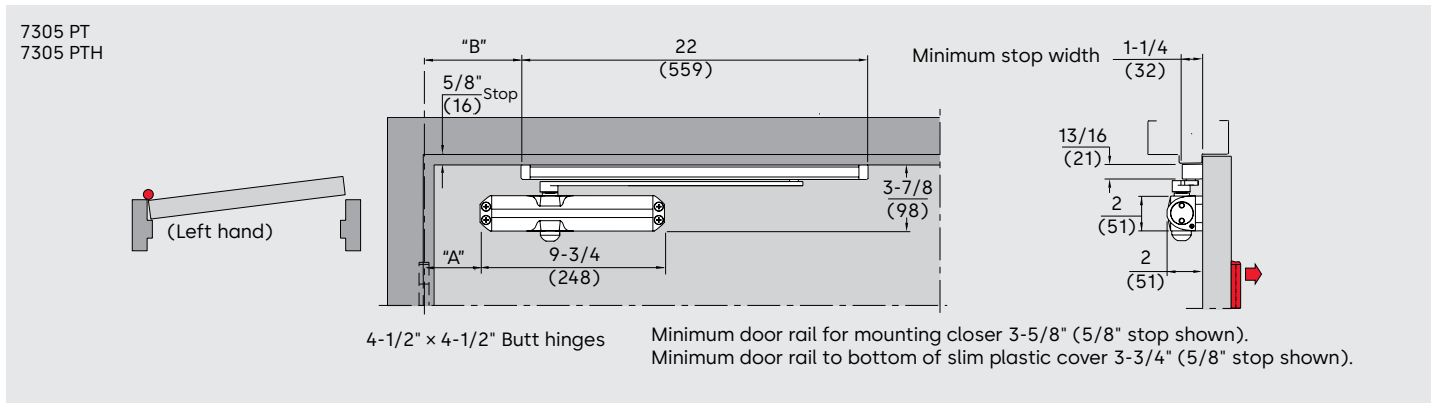
Track x Pull side frame mounted



Size selection chart

Closer	Interior/ Exterior	Maximum opening				Dim "A"	Dim "B"	Max. hold open	Approx. backcheck	Approx. delayed action	Min. door width	
		2'-6" max.	3'-0" max.	3'-6" max.	4'-0" max.							
7305	Interior	•	•	•	N/A	85°	6-1/8" (156)	8" (203)	80°	60°–85°	85°–60°	31"
	Exterior	•	•	N/A	N/A	90°	5-5/8" (143)	7-1/2" (191)	85°	65°–90°	90°–65°	30"
						100°	4-3/8" (111)	5-3/4" (146)	100°	80°–110°	110°–80°	28"
						110°	3-7/8" (98)	3-3/8" (86)	145°	95°–180°	175°–95°	25"

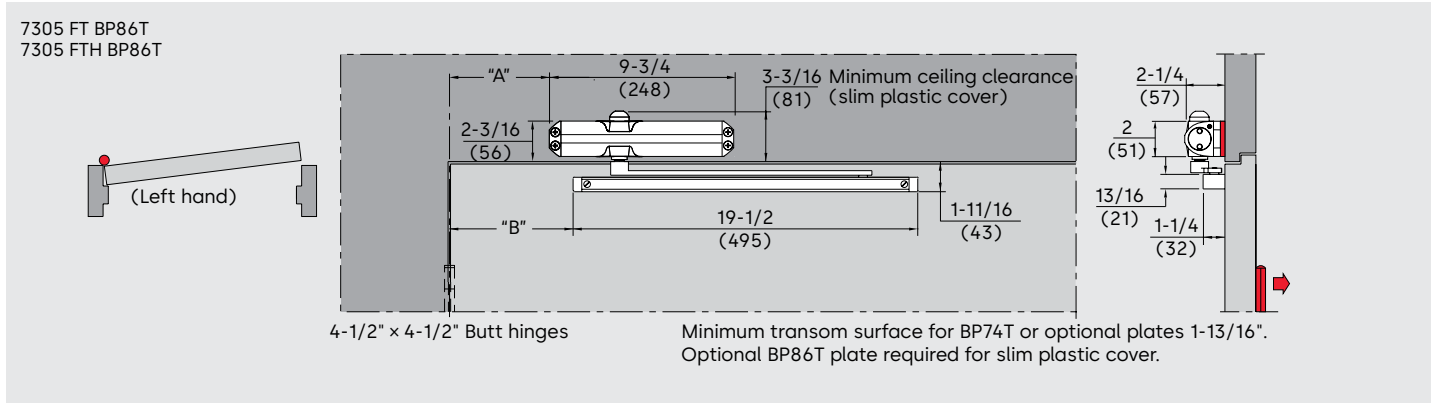
Track x Push side soffit mounted



Size selection chart

Closer	Interior/ Exterior	Maximum opening				Dim "A"	Dim "B"	Max. hold open	Approx. backcheck	Approx. delayed action	Min. door width	
		2'-6" max.	3'-0" max.	3'-6" max.	4'-0" max.							
7305	Interior	•	•	•	N/A	85°	4-3/8" (111)	9-1/8" (232)	82°	65°–85°	85°–65°	33"
	Exterior	•	•	N/A	N/A	90°	4-3/8" (111)	7-1/2" (191)	87°	65°–90°	90°–65°	31"
						100°	4-3/8" (111)	5-1/2" (140)	97°	65°–100°	100°–65°	29"

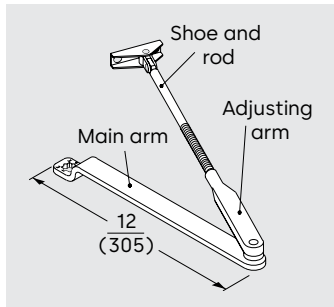
Track x Flush push side door mounted



Size selection chart

Closer	Interior/ Exterior	2'-6" max.	3'-0" max.	3'-6" max.	4'-0" max.	Maximum opening	Dim "A"	Dim "B"	Max. hold open	Approx. backcheck	Approx. delayed action	Min. door width
7305	Interior	•	•	•	N/A	85°	4-13/16" (122)	6-3/8" (162)	82°	60°-85°	85°-60°	29"
	Exterior	•	•	N/A	N/A	90°	4-5/16" (110)	6-1/16" (154)	87°	65°-90°	90°-65°	28"
						110°	3-5/16" (84)	4-3/4" (121)	105°	75°-110°	110°-75°	26"

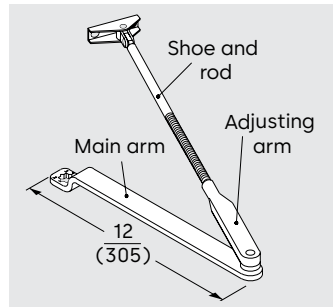
Accessories



Round form arm (8 mm rod)

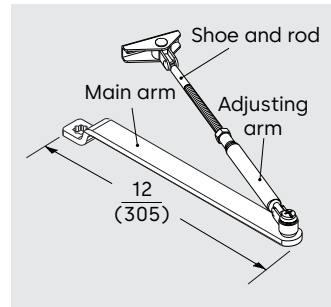
AR – Complete arm assembly, regular or top jamb mount (0"–4" [0 mm–102 mm] reveal), with 8 mm rod.

ARP – Parallel round form arm complete (Tri-Pack) (0"–4" [0 mm–102 mm] reveal). Parallel arm bracket included.



Round form arm (10 mm rod)

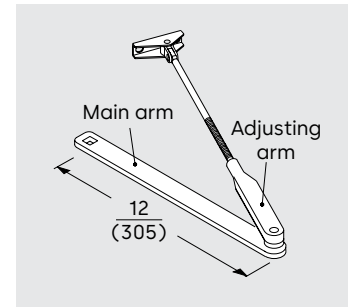
ARJ – Complete arm assembly (4"–8" [102 mm–203 mm] reveal) with 10 mm rod. Designed specifically for top jamb applications with deeper reveals.



Round form arm (8 mm rod)

AO8 – Complete secured elbow arm non-hold open assembly (0"–4" [0 mm–102 mm] reveal) with 8 mm rod. Optional arm with 7300 Series closers.

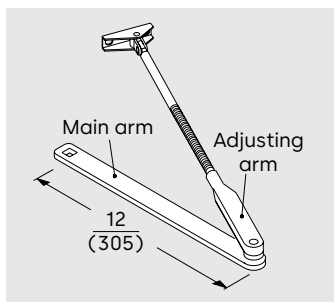
AO8P – Parallel round form arm secured elbow non-hold open complete (Tri-Pack) (0"–4" [0 mm–102 mm] reveal). Parallel arm bracket included.



Narrow profile arm (8 mm)

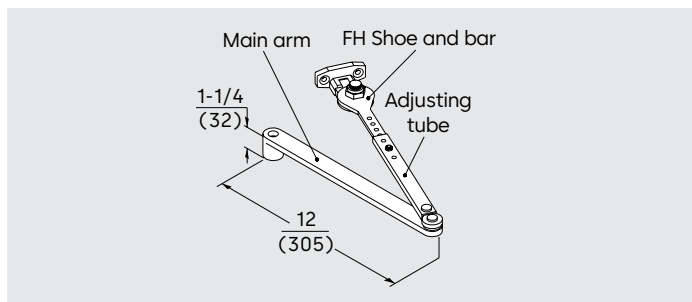
ARNP – Complete arm assembly. Regular or top jamb mount. Permits installation on 1" (25 mm) frame face for regular mount with maximum pull-side reveal of 1/8" (3 mm). Can also be used top jamb (0"–4" [0 mm–102 mm] reveal) for narrow top door rails.

ARNPP – Complete arm assembly for parallel arm mount (Tri-Pack). (0"–4" [0 mm–102 mm] reveal). Parallel arm bracket included.



Narrow profile arm (10 mm)

ARNPJ – Complete arm assembly for top jamb installations (4"–8" [102 mm–203 mm] reveal) for narrow top door rails.



Friction hold open arm

FH – Friction hold open arm complete (0"–4" [0 mm–102 mm] reveal).

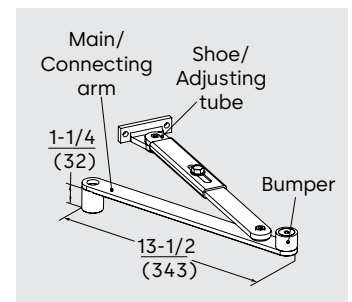
FHJ – Top jamb friction hold open arm complete (4"–8" [102 mm–203 mm] reveal).

FHP – Friction hold open arm complete (Tri-Pack) (0"–4" [0 mm–102 mm] reveal). Parallel hold open bracket included.

FHM04 – Friction hold open main arm and adjusting tube (0"–4" [0 mm–102 mm] reveal).

FHM48 – Friction hold open main arm and adjusting tube (4"–8" [102 mm–203 mm] reveal).

FHSB – Friction hold open shoe and bar.



Heavy-duty cushion arm

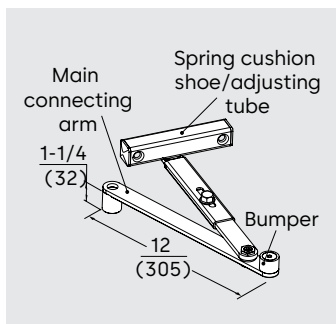
Provides a cushioned opening function for regular and top jamb applications at 85°, 90°, 95°, 100°, 105°, and 110°.

IS – Cushion arm complete (0"–3-1/2" [0 mm–89 mm] reveal).

ISJ – Cushion top jamb arm complete (3-1/2"–6-1/2" [89 mm–165 mm] reveal).

ISH – Cushion hold open arm complete (0"–3-1/2" [0–89 mm] reveal).

ISJH – Cushion top jamb hold open arm complete. (3-1/2"–6-1/2" [89 mm–165 mm] reveal).



Extra heavy-duty spring cushion arm

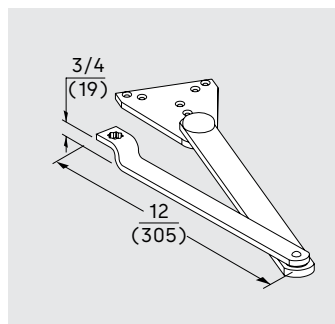
Provides a spring cushion function for regular and top jamb applications at 85°, 90°, 100°, and 110°.

SIS — Spring cushion arm complete (0"–3-1/2" [0 mm–89 mm] reveal).

SISIH — Spring cushion hold open arm complete (0"–3-1/2" [0 mm–89 mm] reveal).

SISJ — Spring cushion top jamb arm complete (3-1/2"–6-1/2" [89 mm–165 mm] reveal).

SISJH — Spring cushion top jamb hold open arm complete (3-1/2"–6-1/2" [89 mm–165 mm] reveal).



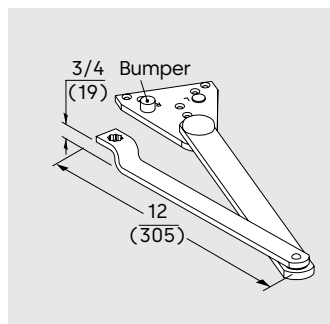
Heavy-duty super parallel arm

Heavy-duty parallel arm.

Available in non-hold open, thumb turn hold open, and hex key turn hold open. Units can be installed for maximum opening of 100° or 180°. Hold open units will hold open at 90° or 125°. Maximum opening is 180° (conditions permitting). Non-hold open arm illustrated.

SPA — Super parallel arm non-hold open.

SPAT — Super parallel arm thumb turn hold open.



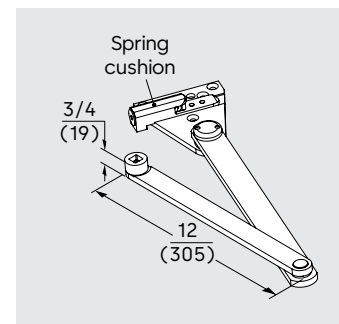
Heavy-duty door saver cushion arm

Heavy-duty parallel arm with cushioned opening function. Available in non-hold open, thumb turn hold open, and hex key turn hold open. Units can be installed to achieve either stop or stop and hold open at 85°, 90°, 100°, and 110°. Maximum opening is 110° (conditions permitting). Non-hold open arm illustrated.

DS — Door saver cushion arm non-hold open.

DST — Door saver cushion arm thumb turn hold open.

BUMPER DS — Door saver bumper only.



Spring stop door saver arm

Extra heavy-duty parallel arm with spring assisted cushion function. Available in non-hold open and thumb turn hold open. Units can be installed to achieve either stop at 85°, 90°, 100°, and 110° or stop and hold open function. Maximum opening is 110° (conditions permitting). Non-hold open arm illustrated.

SDS — Door saver spring cushion arm.

SDST — Door saver spring cushion arm thumb turn hold open.

S SPRING DS — Spring assembly complete.

Cushion/spring cushion arm accessories:

SISM03 — Cushion/spring cushion main arm and connecting arm. (0"–3-1/2" [0 mm–89 mm] reveal).

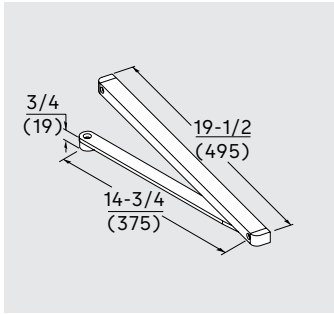
SISM36 — Cushion/spring cushion top jamb main arm and connecting arm (3-1/2"–6-1/2" [89 mm–165 mm] reveal).

ISST — Cushion shoe and adjusting tube.

BUMPER IS — Cushion/spring cushion urethane bumper.

SISST — Spring cushion shoe and adjusting tube.

Accessories

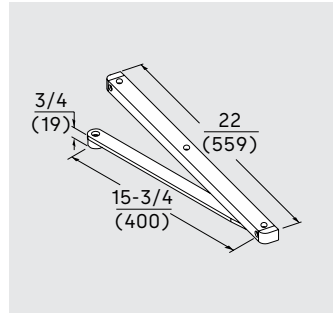


Track arm

Provides slide track function for improved aesthetics and vandal resistance. Units can be installed to provide 85°, 90°, 110°, or 180° of door opening (conditions and application permitting).

T — Track arm complete. Can be used on pull-side T applications (closer on door, track on frame) and JT applications (track on frame, closer on door). Can also be used with FT flush transom applications (closer on transom, track on door).

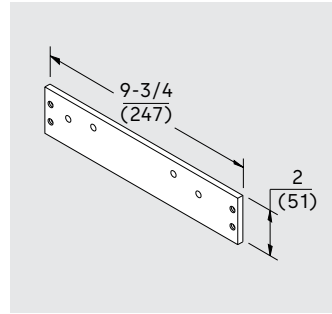
TH — Track hold open arm complete. Can be used in same applications as T arm. Range of hold open and maximum opening varies with mounting application.



Push side track arm

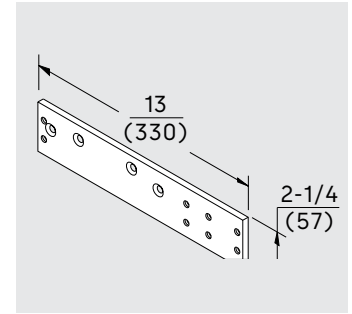
PT86 — Push-side track arm complete. Used with PT track applications (closer on door, track on soffit).

PT86H — Push-side track hold open arm complete. Used with PT track applications (closer on door, track on soffit).



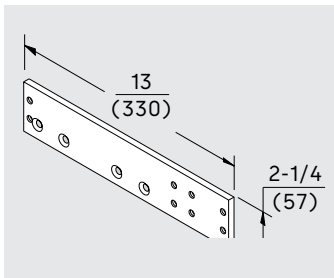
Backplate

BP73 — For top jamb mount when overhead ceiling clearance is less than 2-1/4" (57 mm). Can also be used for regular mount to clear a mortised overhead stop/holder.



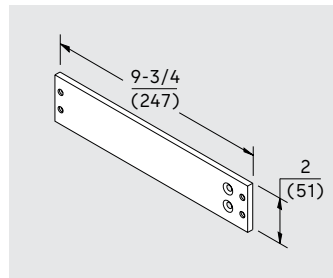
Backplate

BP86 — For top jamb mount with slim plastic cover when overhead ceiling clearance is less than 2-1/4" (57 mm). Can also be used for regular mount to clear a mortised overhead stop/holder.



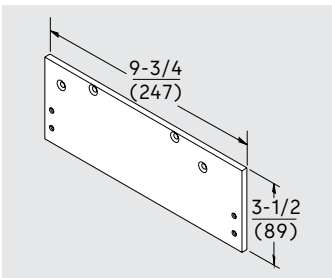
Backplate

BP86T — For use with pull-side track applications (closer on frame face, track on door) with slim plastic cover to permit installation on a standard 2" (51 mm) frame face.



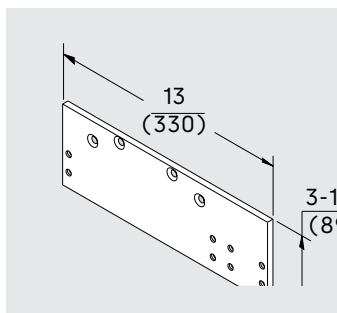
Conversion plate

BP600C — For regular, top jamb, or parallel arm mounts. Permits retrofit of 7300 Series to 8-9/32" hole spacing. Eliminates the need to remachine the door and frame.



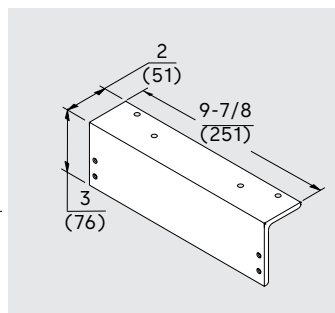
Drop plate

DP73 — For top jamb mount to clear a surface applied stop/holder. Overhead ceiling clearance must be 1-3/4" (44 mm) or more. Permits parallel arm installation with minimum top door rail of 2-1/2" (64 mm) for non-hold open, 2-3/4" (70 mm) for friction hold open applications (assuming 5/8" [16 mm] stop dimension).



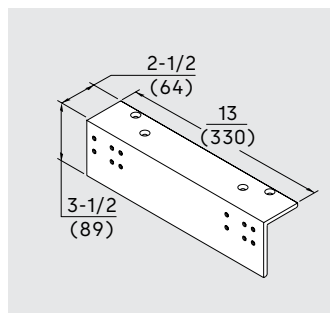
Drop plate

DP86 — For top jamb mount with slim plastic cover to clear a surface applied stop/holder. Overhead ceiling clearance must be 1-3/4" (44 mm) or more. Permits parallel arm installation with minimum top door rail of 2-1/2" (64 mm) for non-hold open, 2-3/4" (70 mm) for friction hold open applications (assuming 5/8" [16 mm] stop dimension).



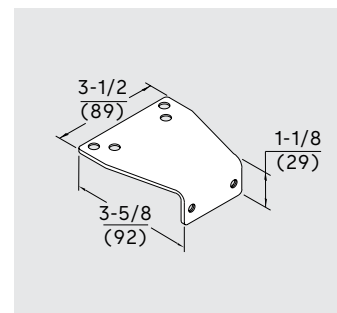
Angle bracket

AB73 — For installation of closers where top jamb applications are not practical due to low overhead ceiling clearance, narrow frame face or unusual trim conditions. This bracket can also be used to provide clearance for a surface-applied stop/holder.



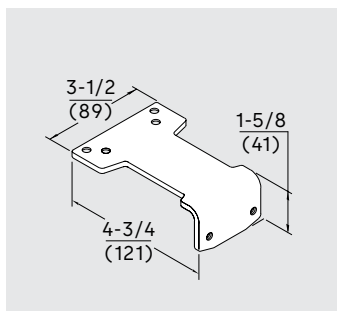
Angle bracket

AB86 — For installation of 7300 Series closers using a slim plastic cover. Used where top jamb applications are not practical due to low overhead ceiling clearance, narrow frame face or unusual trim conditions. This bracket can also be used to provide clearance for a surface-applied stop/holder.



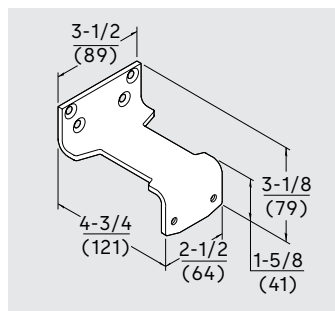
Parallel arm bracket

P86 — Furnished optionally with 7300 Series non-hold open parallel arm applications.



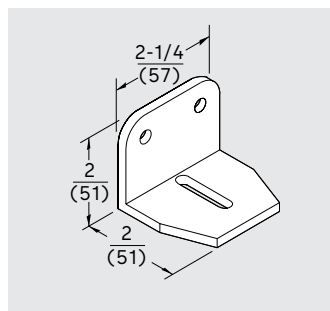
Parallel hold open bracket

PHB — Furnished with 7300 Series closer friction hold open parallel arm applications.



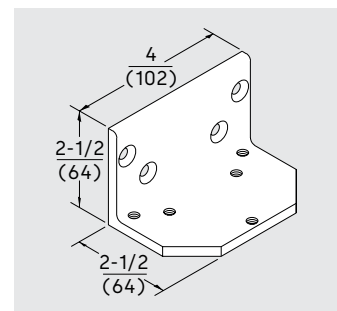
Parallel flush transom bracket

PFT — For all 7300 Series closer hold open and non-hold open parallel arm applications where flush transom conditions prohibit use of P86 or PHB bracket.



Narrow Frame bracket

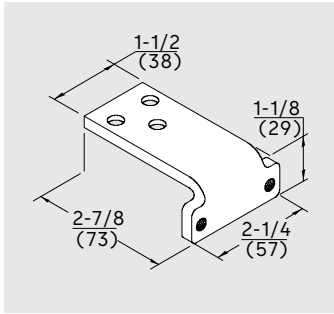
NFHD — For use with all DS and SPA applications where soffit width is 1-1/8" (29 mm) to 3-1/2" (89 mm), prohibiting use of standard spacer block. NFHD bracket is used in lieu of block supplied with arm.



Flush transom bracket

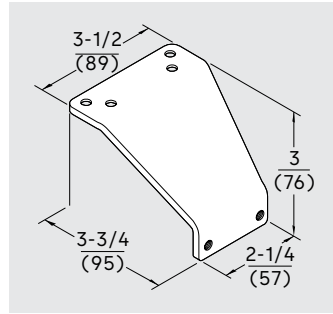
FTHD — For use with all DS and SPA applications where flush transom conditions prohibit normal installation of soffit bracket.

Accessories



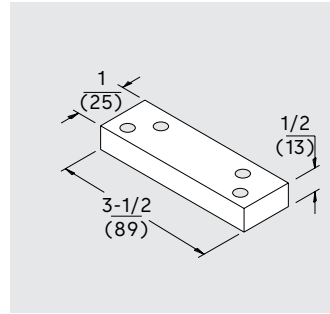
Mortised jamb bracket

MJ — For 7300 Series closers with regular mount non-hold open assemblies, where frame conditions will not permit use of the standard foot, e.g. molded or ornate trim. Permits use of parallel arm application between twin communicating doors where limited space prohibits use of the wider P86 bracket.



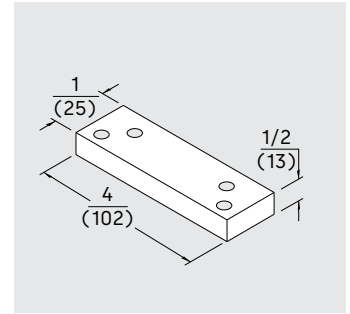
Parallel drop bracket

PD — For 7300 Series closer non-hold open parallel arm applications to clear a surface-applied stop/holder.



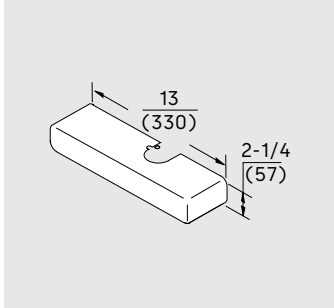
Blade stop spacer

BS — For use with all 7300 Series P86, PD, and PHB applications installed on cased frames with applied blade stops. This block is used to provide adequate clearance for the blade stop.



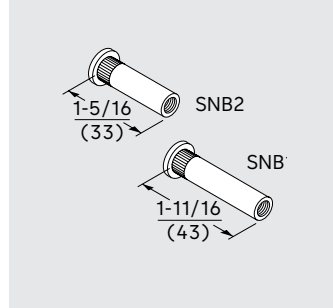
Heavy-duty blade stop spacer

BSHD — For use with all 7300 Series DS, DST, SDS, SDST, SPA and SPAT applications installed on cased frames with applied blade stops. This block is used in conjunction with the spacer furnished with the arm to provide adequate clearance for the blade stop.



Slim plastic cover

COV — Optional slim plastic cover.



Sex nuts

SNB1 — Sex nuts with machine screws for 1-3/4" (44 mm) door.

SNB2 — Sex nuts with machine screws for 1-3/8" (35 mm) door. Required for use on unreinforced doors and wood or composite labeled fire doors for securely attaching hardware to the door.

Our Sustainability Commitment

We are committed to foster a sustainable development along our entire value chain in line with our economic, environmental and social responsibilities toward current and future generations. Sustainability at product level is an important, future-oriented approach in the field of construction. In order to give quantified disclosures of a product's environmental impact through its entire life cycle, dormakaba provides Environmental Product Declarations (EPD), based on holistic life cycle assessments. <https://www.dormakabagroup.com/en/sustainability/product-declarations>.

Our offering

Access Automation Solutions

Entrance Automation
Entrance Security



Access Control Solutions

Electronic Access & Data
Escape and Rescue Systems
Lodging Systems



Access Hardware Solutions

Door Closers
Architectural Hardware
Mechanical Key Systems



Services

Technical Support
Installation and commissioning
Maintenance and Repair



Key & Wall Solutions

Key Systems
Movable / Sliding Walls



Safe Locks

Electronic Safe Locks
Mechanical Safe Locks
Boltworks and Accessories



Glass systems

Manual door systems
Glass fittings
Horizontal Sliding Walls



DHW_1670_BR_EN CEI 0325
Subject to change without notice

dormakaba USA Inc.
6161 E 75th Street
Indianapolis, IN 46250
1-800-523-8483
dormakaba.us



dormakaba.com