

8900 Series

Surface applied door closers

We make access in life smart and secure





8900 Series heavy-duty surface closer

Contents

4	Features and specifications	22	Track – pull side door mounted × backplate
5	Ordering guide	22	Jamb track – pull side frame mounted
6	Technical drawings	23	Push track – push side soffit mounted
6	Regular × flat form arm	23	Flush track – push side door mounted × backplate
7	Regular × friction hold open	24	Track double egress – pull side frame mounted
7	Regular × plunger hold open	24	90° pocket door (track arm)
8	Regular × cushion IS arm	25	90° pocket door (double-lever arm)
8	Regular × spring stop IS arm	25	180° pocket door (double-lever arm)
9	Regular × flat form arm × backplate	26	Accessories
9	Regular × flat form arm × mortised jamb bracket	26	Flat form arms
10	Top jamb × flat form arm	26	Friction hold open arm
10	Top jamb × flat form arm × backplate	26	Cushion IS arm
11	Top jamb drop × flat form arm × backplate	27	Spring stop IS arm
11	Top jamb × friction hold open × backplate	27	Plunger hold open arm
12	Top jamb × cushion IS arm × backplate	27	Super parallel arm
12	Top jamb × spring stop IS arm	27	Door saver arm
13	Top jamb × flat form arm × angle bracket	27	Cushion IS/Spring stop IS arm accessories
13	Parallel arm × flat form arm	28	Spring door saver arm
14	Parallel arm × friction hold open	28	Track arms
14	Parallel arm × plunger hold open	28	Regular arm shoe and bar
15	Parallel arm × flat form arm × drop plate	29	BP89 backplate
15	Parallel arm × flat form arm × mortised jamb bracket	29	DP89 drop plate
16	Parallel arm × flat form arm × parallel drop bracket	29	Brackets
16	Parallel arm × flat form arm × parallel flush transom bracket	30	Blade stop spacers
17	Heavy-duty super parallel arm	30	Full plastic cover
17	Heavy-duty parallel arm door saver × cushion	30	FMC full metal cover
18	Heavy-duty super parallel arm × narrow frame bracket	30	Sex nuts
18	Heavy-duty parallel arm door saver × cushion × narrow frame bracket	31	Conversion plates
19	Heavy-duty super parallel arm × blade stop spacer		
19	Heavy-duty parallel arm door saver × cushion × blade stop spacer		
20	Heavy-duty super parallel arm × flush transom bracket		
20	Heavy-duty parallel arm door saver × cushion × flush transom bracket		
21	Heavy-duty parallel arm × spring door saver		
21	Track – pull side door mounted		



Intertek



Intertek

dormakaba USA quality and environmental management systems are certified to ISO 9001:2015 and ISO 14001:2015.

Versatile, durable, and reliable, featuring modern styling for institutional or high-traffic commercial applications.

dormakaba's 8900 Series, Grade 1 hydraulic surface closers are housed in corrosion-resistant aluminum with a hardened pinion/piston providing toughness and high-strength. The arm hub is made from forged steel.

Standard on the 8900 Series closers are backcheck positioning with two adjustment valves, adjustable spring sizes from 1–6. Independently certified to 10 million, the 8900 Series closers are ideal for a variety of heavy-duty, as well as barrier-free, applications.

Technical details

Available as 8916 with fully adjustable spring sizes 1–6. Size 1 (5 lb opening force) meets interior barrier-free AD requirements.

- 8916 may be used on doors up to 48" wide interior (42" wide exterior) and up to 180 lb.
- 8956 available with adjustable spring sizes of 5–6 +50% for use on exceptionally wide, tall, or heavy doors.
- Non-handed for regular, top jamb, and parallel arm applications.
- Backcheck (BC) valve (standard) provides adjustable-intensity hydraulic cushioning, preventing uncontrolled door opening to protect door and frame during abusive or abrupt opening.
- POS backcheck positioning valve (standard) maintains an effective backcheck range on parallel arm applications. Valve is accessible with the closer installed.
- Full adjustment using BC, POS, Sweep and Latch valves standard.
- Optional delayed action (DA) adjustable with separate independent valve to allow for unobstructed passage through opening.
- Full plastic cover standard. Full metal or full plastic slotted covers optional.
- All tamper-resistant (hex key) valve adjustments (including POS) accessible with closer installed.
- Standard components required for three most popular mounting configurations (Reg., TJ, PA).

- Standard fasteners include separate wood and metal screws and SN1 sex nuts for 1-3/4" thick doors.
- Full-sized templates enable accurate installation.
- A variety of specialty arm options, interchangeable across most dormakaba surface closer models.
- Full complement of optional plates and brackets available for special applications.
- Screw options include self-
- drilling and tapping screws (DPK89) for steel door and frame applications or self-
- tapping screws (TPK89) for aluminum door and frame applications.
- Stainless steel (STA Series) model available (see STA brochure for details).
- Available with holder/
- release with (EMR Series) or without (EMF Series) photoelectric detector to control spread of smoke and fire (see EMR/EMF brochure for details).

Certifications

- ANSI/BHMA A156.4 Grade 1 certified.
- UL and CUL listed.
- Meets UL10C for positive pressure.
- Meets ANSI/BHMA A117.1 and ADA for barrier-free accessibility.
- CSFM approved.

Specification

The heavy-duty 8900 Series non-handed surface applied door closer with adjustable spring power and backcheck positioning adjustment. The 8900 has two independent, noncritical adjustment valves to control sweep and latch closing speeds. The backcheck positioning valve maintains an effective backcheck range on parallel arm applications. The 8916 will be available with field adjustable spring power from size 1–6 for barrier-free requirements. All closers to have field adjustable spring power from size 1–6 and meet barrier-free requirements. The 8956 will be adjustable size 5 to 6 +50% additional closing force over the size 6. All 8900 fully adjustable spring force door closers to include an integral design to positively stop adjustment of the spring at the minimum and maximum spring force settings.

Optional specifications:

The 8900 Series closer will have delayed action (DA). Delayed action range will be effective from maximum opening to Approximately 65°. All 8900 closers to have full metal covers. All 8900 closers to have sex nuts with machine screws for 1-3/8" door (SN2). Closers to have self-drilling screws for steel doors and frames (DPK86). Closers to have self-tapping screws for aluminum doors and frames (TPK86). Closers to have TORX security for all exposed fasteners (TX89).

Finishes

Standard sprayed finishes

- Aluminum: 689
- Bronze: 691 (Dull), 690 (Statuary), or 695 (Dark Duranodic)
- Gold: 696
- Black: 693

Optional dormakaba custom color or designer color finishes

Contact Customer Service.

Optional plated/Architectural finishes

- Brass: 605 (Bright) or 606 (Satin)
- Bronze: 611 (Bright), 612 (Satin), or 613 (Oxidized Satin Oil Rubbed)
- Nickel: 618 (Bright) or 619 (Satin)
- Chrome: 625 (Bright) or 626 (Satin)

Warranty

For details, refer to dormakaba Limited Warranty on our website.

REDUCED OPENING FORCE INSTALLATIONS

CAUTION Manual door closers, including those certified to meet ANSI/BHMA A156.4, when installed and adjusted to conform to ADA or other reduced opening force requirements, may not provide sufficient power to reliably close and latch a door.

Refer to catalog for Low Energy Operators to meet reduced opening force requirements without affecting closing power.

How to order 8900 Series

Features	8916	8956
Spring size (8916 shipped as size 4)	1-6	5-6 + 50%
Non-handed	●	●
Parallel arm bracket	●	●
Full line of specialty function arms and plates	●	●
Backcheck positioning adjustment	●	●
Controlled closing with two adjustment valves	180°-15° 15°-0°	180°-15° 15°-0°
Backcheck	●	●
Hydraulic delayed action	○	○
Hold open	○	○
SN1 sex nuts for 1-3/4" thick doors included	●	●
Self-drilling screws	○	○
Self-tapping screws	○	○
Tamper-resistant TORX screws	○	○
Full cover (plastic)	●	●
Full cover (metal)	○	○

● standard ○ optional

Other accessories

AB89	— Angle Bracket
NFHD	— Narrow Frame Bracket, Heavy Duty
FTHD	— Flush Transom Bracket, Heavy Duty
BS	— Blade Stop Spacer
BSHD	— Blade Stop Heavy Duty

Accessory plates

Drop Plate	— DP89
Back Plate	— BP89

Spring size

Adjustable 1-6	— 16	TANDEM — Dual Closer Body System
Fixed Size 7	— 07	
Adjustable 5-6	— 56	
		DA — Delay

Body cover

Full Plastic	— FC
Full Plastic Slotted	— FCSL
Full Metal Cover	— FMC**

89	16	AF89	FC	SN1	689
-----------	-----------	-------------	-----------	------------	------------

Series	8900	Flat Form Non-Hold Open, Tri-Pack	AF89P	PFT — PA Transom	SN2	TX89 — Torx Security Pack	605	— Polished Brass
		Flat Form Non-Hold Open, TJ 4"-8" Reveal	AF89J	PD — Drop Bracket	SN1	SNDPK — Std. and Self-Drilling	606	— Satin Brass
		Flat Form Non-Hold Open, Reg./TJ 0"-4" Reveal	AF89	MJ* — Mortise Jamb	Sex Nuts 1-3/8"	DPK89 — Self-Drilling	611	— Polished Bronze
		Flat Form Non-Hold Open With Mortise Jamb Bracket	AF8MJ	PA Bracket	Sex Nuts 1-3/4"	SNTPK — Std. and Self-Tapping	612	— Satin Bronze
		Flat Form Non-Hold Open, Rigid Regular Mount	RRA			TPK89 — Self-Tapping	613	— Oxidized Satin Oil Rubbed Bronze
		Friction Hold Open, Tri-Pack	FHP				618	— Polished Nickel
		Friction Hold Open, TJ 4"-8" Reveal	FHJ			Arm fastener pack	619	— Satin Nickel
		Friction Hold Open, Reg./TJ 0"-4" Reveal	FH				625	— Polished Chrome
		Plunger Hold Open, Parallel Arm (TJ 1-1/2"-3-1/2" Reveal)	PHP				626	— Satin Chrome
		Plunger Hold Open, Reg./TJ 0"-1-1/2" Reveal	PH					
		Heavy-duty Door Saver Cushion, Parallel	DS					
		Heavy-duty Door Saver Cushion Thumb Turn Hold Open, Parallel	DST					
		Extra Heavy-duty Door Saver Spring Cushion, Parallel	SDS					
		Heavy-duty Cushion, Reg./TJ 0"-3-1/2" Reveal	SDST — Extra Heavy-duty Door Saver Spring Cushion Thumb Turn Hold Open, Parallel					
		Extra Heavy-duty Spring Cushion Reg./TJ 0"-3-1/2" Reveal	IS					
		Heavy-duty Cushion, Top Jamb 3-1/2"-6-1/2" Reveal	ISH — Heavy-duty Cushion Hold Open, Reg./TJ 0"-3-1/2" Reveal					
		Extra Heavy-duty Spring Cushion, Top Jamb 3-1/2"-6-1/2" Reveal	SIS* — Extra Heavy-duty Spring Cushion Hold Open, Reg./TJ 0"-3-1/2" Reveal					
		Super Parallel Arm	SISH — Extra Heavy-duty Spring Cushion Hold Open, Top Jamb 3-1/2"-6-1/2" Reveal					
		Super Parallel Arm Thumb Turn Hold Open	ISJ — Heavy-duty Cushion Hold Open, Top Jamb 3-1/2"-6-1/2" Reveal					
		Track, Pull Side Door Mounted	ISJH — Extra Heavy-duty Spring Cushion Hold Open, Top Jamb 3-1/2"-6-1/2" Reveal					
		Jamb Track, Pull Side Frame Face Mounted	SISJ* — Super Parallel Arm Drop Spacer					
		Push Track, Push Side Soffit Mounted	SISJH					
		Track Double Egress, Pull Side Transom Mounted	SPA					
		Track Hold Open, Pull Side Door Mounted	SPAT					
		Push Track Hold Open, Push Side Soffit Mounted	SPAS6					
		Flush Track Hold Open, Pull Side Frame Face Mounted	T					
		Double Lever Flat Form Arm, 90° Pocket Door (8907 only)	JT					
			PT					
			TDE					
			FT — Flush Track, Push Side Transom Mounted					
			TH					
			JTH — Jamb Track Hold Open, Pull Side Frame Face Mounted					
			PTH — Track Double Egress Hold Open, Pull Side Frame Face Mounted					
			TDEH — Track Application, 90° Pocket Door (8956 only)					
			FTH — Double Lever Flat Form, 180° Pocket Door (8907 only)					
			TPKT90					
			AFPKT90					
			AFPKT180					

Arm type

Plated

Architectural

Painted

Finish

*Stainless base material with brushed Satin Finish.

**For optional dormakaba custom color or designer color finishes, contact Customer Service.

***Specify handing of FMC for all JT, T, and FT applications.

Notes: All combinations of features and options are not available for all models.

- Non-fire rated, 90TPK (90° pocket) applications require (3 ea.) 75520 pocket pivots, ordered separately.
- Fire rated, 90 TPK (90° pocket) applications require (3 ea.) 75523 pocket pivots, ordered separately.
- FMC is only cover available in plated finish.

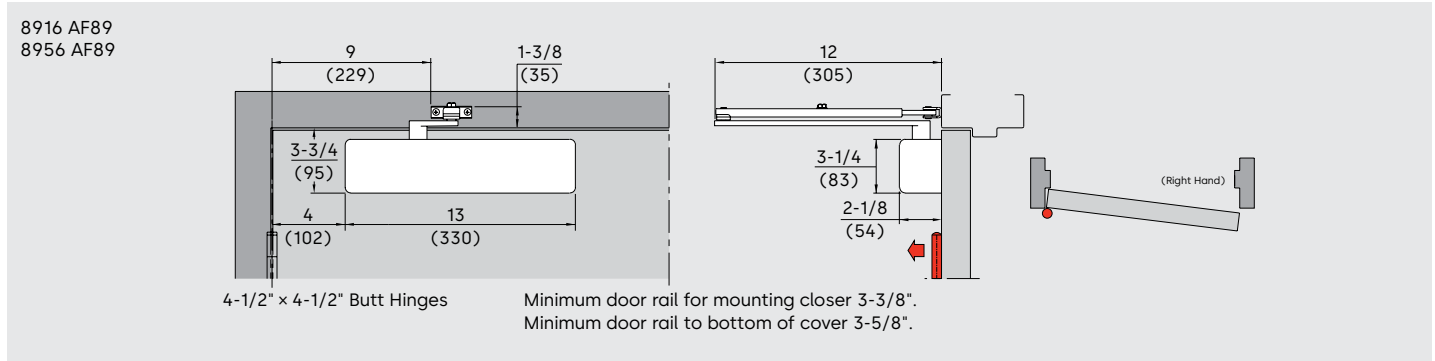
Technical drawings

Technical drawing symbols & notes

- – Recommended application
- N/A – Not applicable/application not recommended
- Ⓔ – Opening force 5 lb or less on interior doors

Note: The effective degree at which the backcheck occurs is determined by a **backcheck positioning** adjustment. Specifically designed for parallel arm applications, it advances the backcheck to an Approx. range similar to regular and top jamb applications. The backcheck range(s) shown with each parallel arm technical drawing reflects an **on** status. Regular, top jamb, and track ranges reflect an **off** status. The 8900 Series closer is shipped with the backcheck positioning valve on.

Regular × Flat form arm



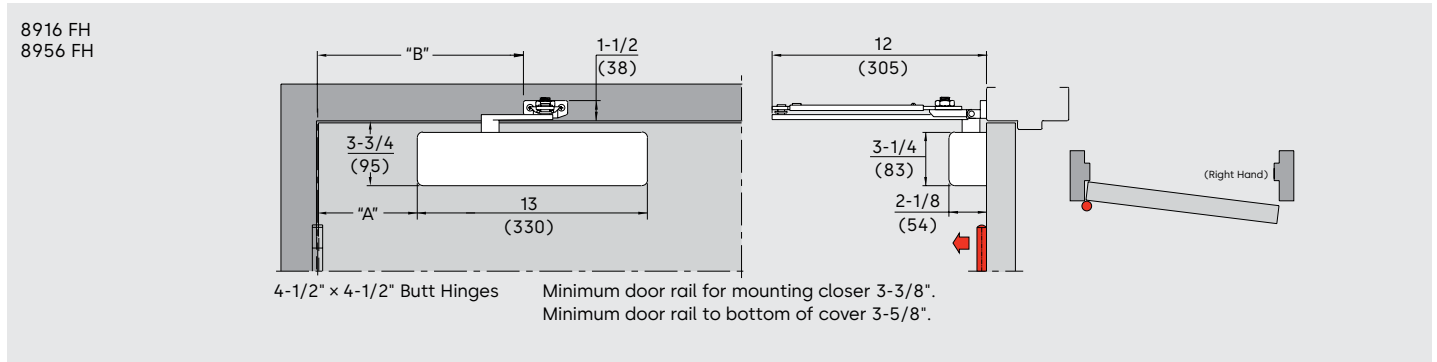
Size selection chart

Closer	Interior/ Exterior	Door width						
		2'-0" min.	2'-6" max.	3'-0" max.	3'-6" max.	4'-0" max.	4'-6" max.	5'-0" max.
8616	Interior	•	•	Ⓔ	Ⓔ	Ⓔ	Ⓔ	N/A
	Exterior	•	•	•	•	•	N/A	N/A
8956	Interior	N/A	N/A	N/A	N/A	•	•	•
	Exterior	N/A	N/A	N/A	•	•	•	N/A

Max. opening	*Approx. backcheck	Approx. delayed action
180°	65°–180°	180°–65°

* Backcheck positioning valve factory preset to on, advancing backcheck approximately 15°.

Regular × Friction hold open



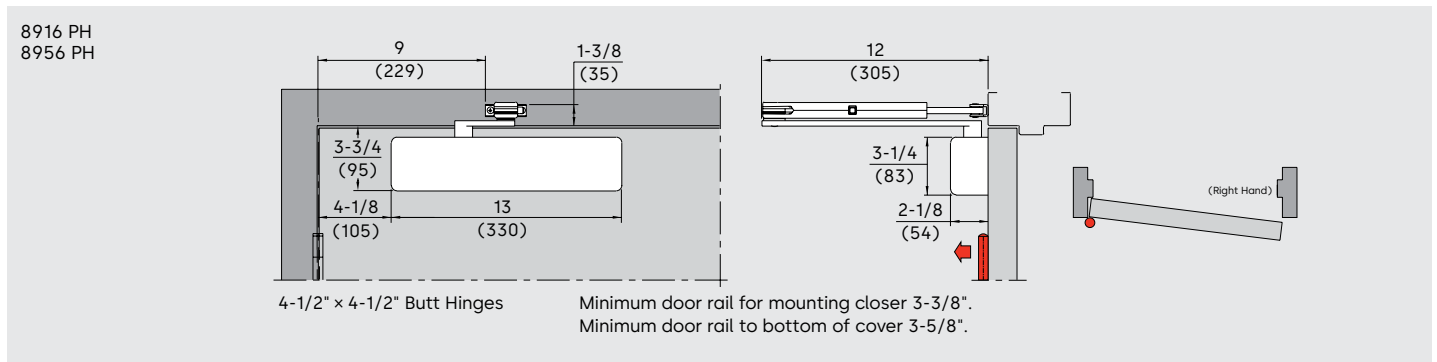
Size selection chart

Closer	Interior/ Exterior	Door width						
		2'-0" min.	2'-6" max.	3'-0" max.	3'-6" max.	4'-0" max.	4'-6" max.	5'-0" max.
8616	Interior	•	•	⊘	⊘	⊘	⊘	N/A
	Exterior	•	•	•	•	•	N/A	N/A
8956	Interior	N/A	N/A	N/A	N/A	•	•	•
	Exterior	N/A	N/A	N/A	•	•	•	N/A

Template ref.	Dim "A"	Dim "B"	Approx max. opening	*Approx. backcheck	Approx. delayed action	Min. hold open	Max hold open
To 100°	5-3/4" (146)	11-5/8" (295)	130°	65°–130°	90°–65°	85°	110°
100° to 120°	3-3/4" (95)	8-7/8" (225)	180°	70°–180°	100°–70°	105°	170°

* Backcheck positioning valve factory preset to on, advancing backcheck approximately 15°.

Regular × Plunger hold open



Size selection chart

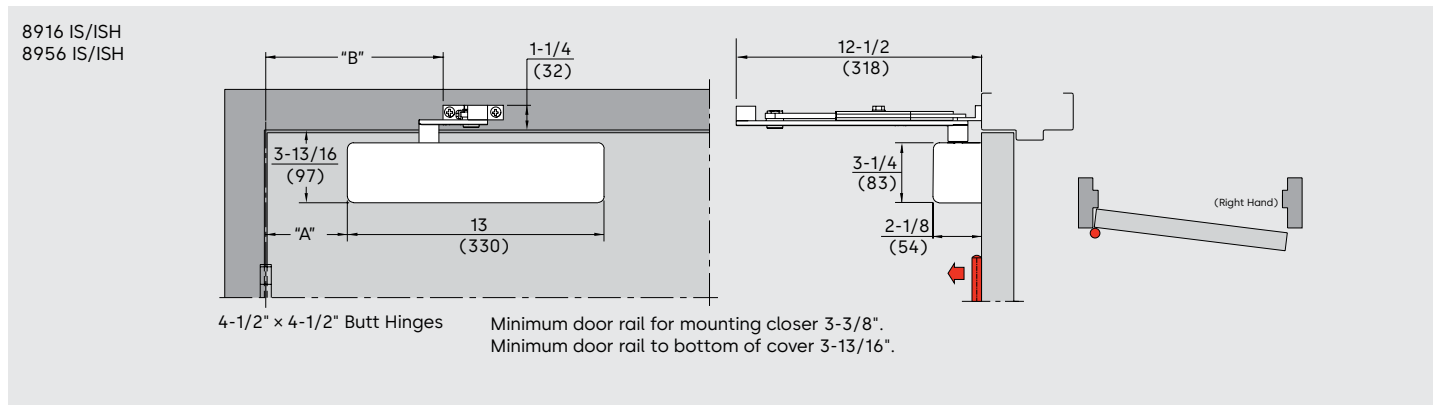
Closer	Interior/ Exterior	Door width						
		2'-0" min.	2'-6" max.	3'-0" max.	3'-6" max.	4'-0" max.	4'-6" max.	5'-0" max.
8616	Interior	•	•	⊘	⊘	⊘	⊘	N/A
	Exterior	•	•	•	•	•	N/A	N/A
8956	Interior	N/A	N/A	N/A	N/A	•	•	•
	Exterior	N/A	N/A	N/A	•	•	•	N/A

Max. opening	*Approx. backcheck	Approx. delayed action	Min. hold open	Max hold open
180°	65°–180°	180°–70°	30°	140°

* Backcheck positioning valve factory preset to on, advancing backcheck approximately 15°.

Technical drawings

Regular x Cushion IS Arm



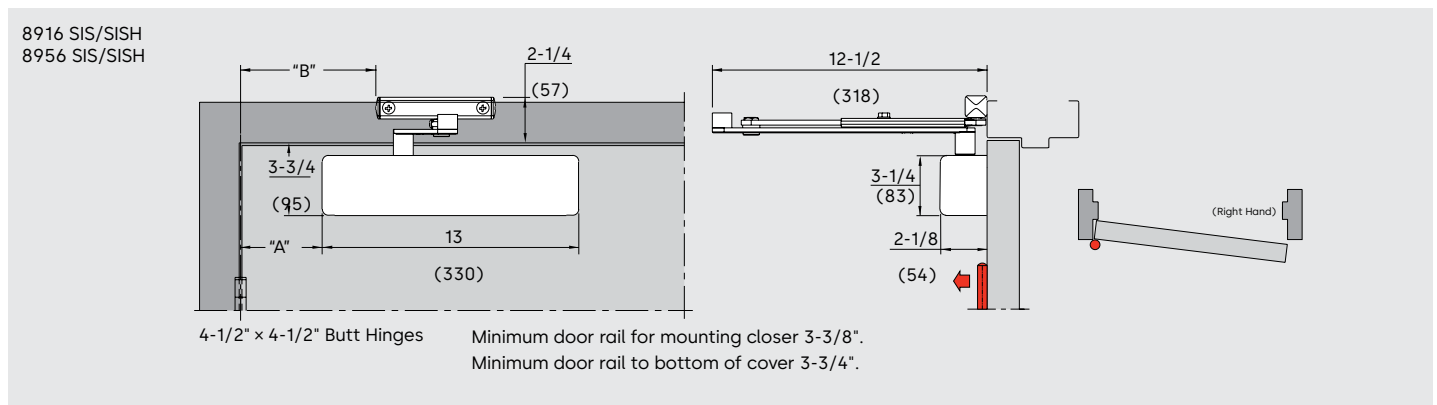
Size selection chart

Closer	Interior/ Exterior	Door width						
		2'-0" min.	2'-6" max.	3'-0" max.	3'-6" max.	4'-0" max.	4'-6" max.	5'-0" max.
8616	Interior	•	•	⊘	⊘	⊘	⊘	N/A
	Exterior	•	•	•	•	•	N/A	N/A
8956	Interior	N/A	N/A	N/A	N/A	•	•	•
	Exterior	N/A	N/A	N/A	•	•	•	N/A

Template Ref.	Dim "A"	Dim "B"	Cushion/ Hold open	*Approx. backcheck	Approx. delayed action
85°	5-3/4" (146)	13-5/8" (346)	85°	70°–85°	70°–85°
90°	5-1/8" (130)	13-1/4" (337)	90°	70°–90°	70°–90°
95°	4-5/16" (110)	13" (330)	95°	70°–95°	70°–95°
100°	5-1/4" (133)	12-3/8" (314)	100°	70°–100°	70°–100°
105°	3-3/4" (95)	12" (305)	105°	75°–105°	70°–105°
110°	3-3/8" (92)	11-5/8" (295)	110°	75°–110°	70°–110°

* Backcheck positioning valve factory preset on, advancing backcheck approx 15°

Regular x Spring stop IS Arm



Size selection chart

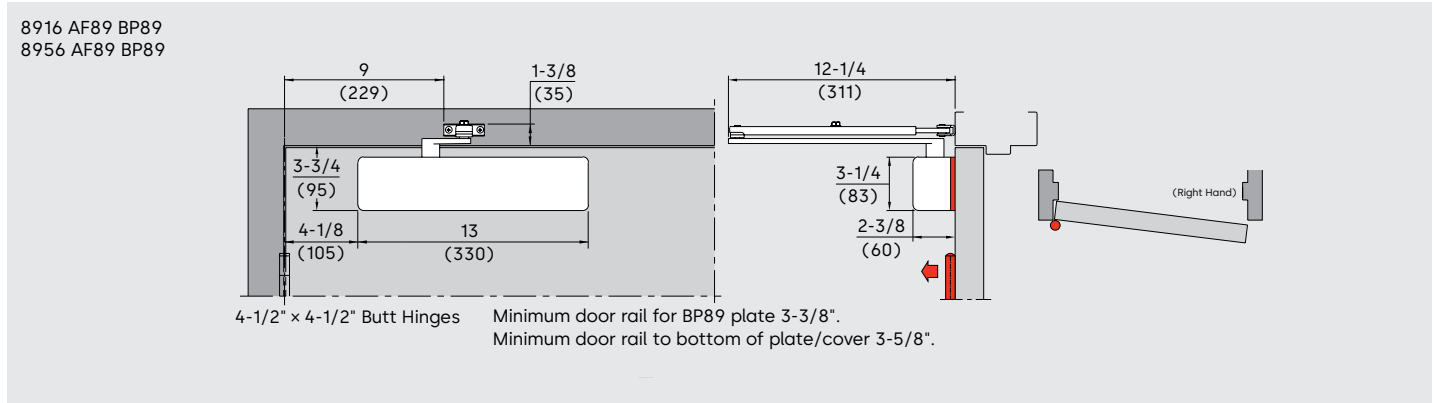
Closer	Interior/ Exterior	Door width				
		2'-0" min.	2'-6" max.	3'-0" max.	3'-6" max.	4'-0" max.
8616	Interior	•	•	⊘	⊘	⊘
	Exterior	•	•	•	•	•
8956	Interior	N/A	N/A	N/A	N/A	•
	Exterior	N/A	N/A	N/A	•	•

Template ref.	Dim "A"	Dim "B"	**Dead stop/ Hold open	*Approx. backcheck	Approx. delayed Action
85°	8-7/8" (226)	11-9/16" (294)	85°	60°–85°	70°–85°
90°	8-1/4" (210)	10-15/16" (278)	90°	60°–90°	70°–90°
100°	7-3/8" (188)	10-1/16" (256)	100°	70°–100°	70°–100°
110°	6-5/8" (168)	9-5/16" (237)	110°	70°–110°	70°–110°

*Backcheck positioning valve factory preset to on, advancing backcheck approx 15°.

** Hold open is approx 5°–7° less than the dead stop angle listed in the chart.

Regular × Flat form arm × Backplate



Size selection chart

Closer	Interior/ Exterior	Door width						
		2'-0" min.	2'-6" max.	3'-0" max.	3'-6" max.	4'-0" max.	4'-6" max.	5'-0" max.
8616	Interior	•	•	⊗	⊗	⊗	⊗	N/A
	Exterior	•	•	•	•	•	N/A	N/A
8956	Interior	N/A	N/A	N/A	N/A	•	•	•
	Exterior	N/A	N/A	N/A	•	•	•	N/A

Min. opening

180°

***Approx. backcheck**

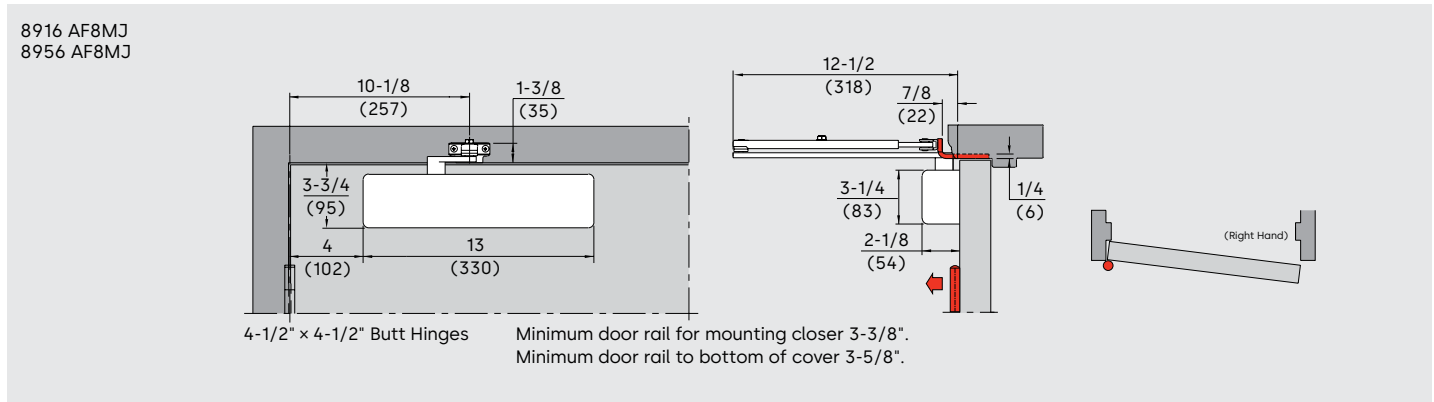
65°–180°

Approx. delayed action

180°–70°

* Backcheck positioning valve factory preset to on, advancing backcheck approx 15°.

Regular × Flat form arm × Mortised jamb bracket



Size selection chart

Closer	Interior/ Exterior	Door width						
		2'-0" min.	2'-6" max.	3'-0" max.	3'-6" max.	4'-0" max.	4'-6" max.	5'-0" max.
8616	Interior	•	•	⊗	⊗	⊗	⊗	N/A
	Exterior	•	•	•	•	•	N/A	N/A
8956	Interior	N/A	N/A	N/A	N/A	•	•	•
	Exterior	N/A	N/A	N/A	•	•	•	N/A

Min. opening

180°

***Approx. backcheck**

80°–180°

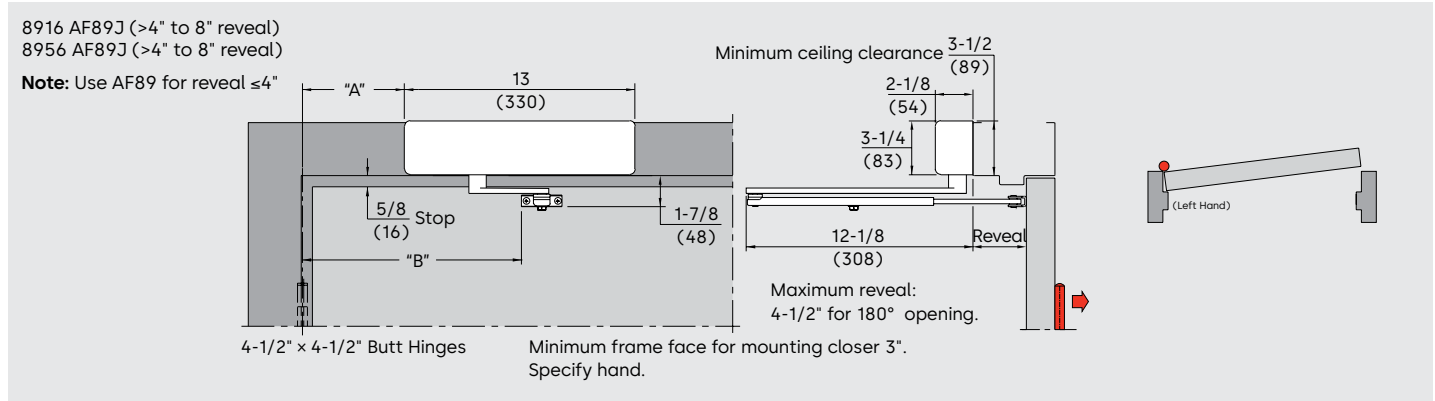
Approx. delayed action

180°–65°

* Backcheck positioning valve factory preset to on, advancing backcheck approx 15°.

Technical drawings

Top jamb × Flat form arm



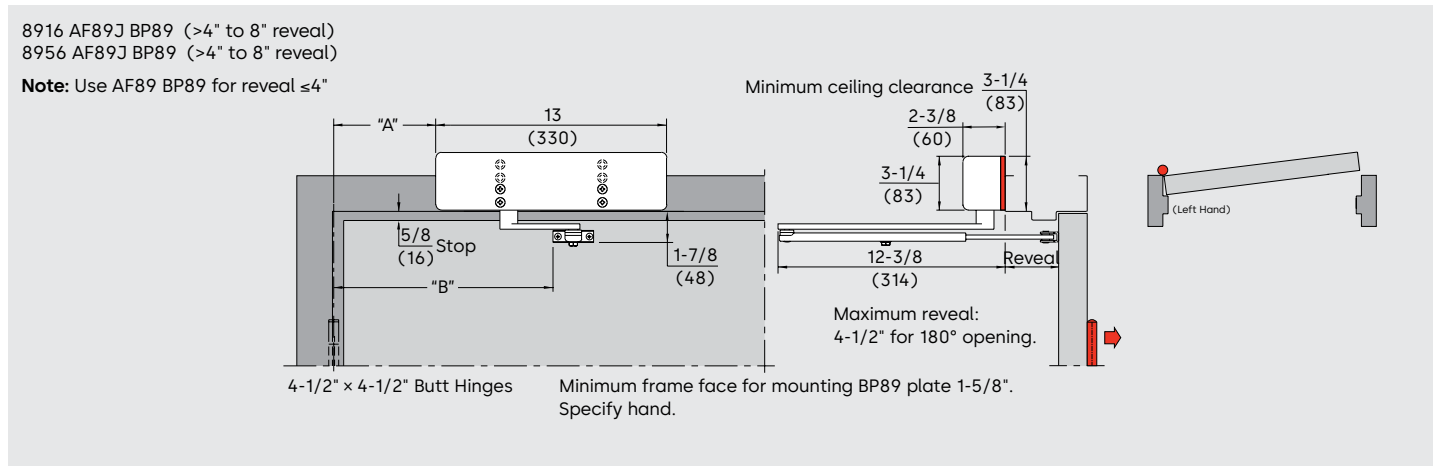
Size selection chart

Closer	Interior/ Exterior	Door width						
		2'-0" min.	2'-6" max.	3'-0" max.	3'-6" max.	4'-0" max.	4'-6" max.	5'-0" max.
8616	Interior	•	•	⊘	⊘	⊘	⊘	N/A
	Exterior	•	•	•	•	•	N/A	N/A
8956	Interior	N/A	N/A	N/A	N/A	•	•	•
	Exterior	N/A	N/A	N/A	•	•	•	N/A

Template ref.	Dim "A"	Dim "B"	Reveal	Arm	Approx. max. opening	*Approx. backcheck	Approx. delayed action
To 100°	5-3/4" (146)	12-3/8" (314)	0"	AF89	115°	70°–115°	115°–60°
To 100°	5-3/4" (146)	12-3/8" (314)	>4"	AF89J	120°	75°–120°	120°–70°
			8"	AF89J	125°	80°–125°	125°–70°
Over 100°	1-3/4" (44)	8-3/8" (213)	0"	AF89	180°	85°–180°	180°–80°
			4"	AF89	180°	95°–180°	180°–95°
Over 100°	1-3/4" (44)	8-3/8" (213)	>4"	AF89J	180°	95°–180°	180°–95°
			8"	AF89J	160°	105°–160°	160°–100°

*Backcheck positioning valve factory preset to on, advancing backcheck approx 15°.
Note: Bold type shows supplied arm.

Top jamb × Flat form arm × Backplate



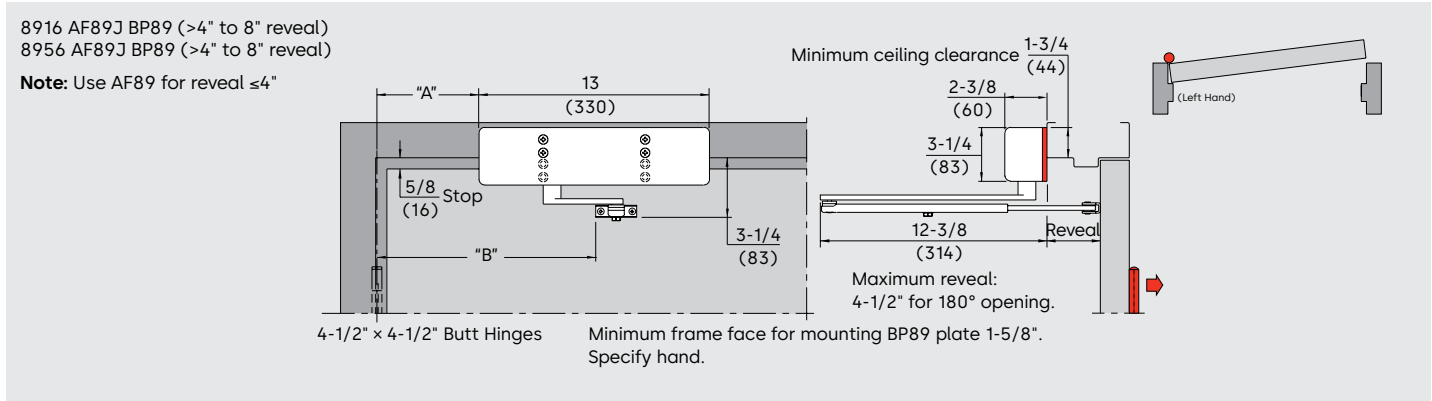
Size selection chart

Closer	Interior/ Exterior	Door width						
		2'-0" min.	2'-6" max.	3'-0" max.	3'-6" max.	4'-0" max.	4'-6" max.	5'-0" max.
8616	Interior	•	•	⊘	⊘	⊘	⊘	N/A
	Exterior	•	•	•	•	•	N/A	N/A
8956	Interior	N/A	N/A	N/A	N/A	•	•	•
	Exterior	N/A	N/A	N/A	•	•	•	N/A

Template ref.	Dim "A"	Dim "B"	Reveal	Arm	Approx. max. opening	*Approx. backcheck	Approx. delayed action
To 100°	5-3/4" (146)	12-3/8" (314)	0"	AF89	115°	70°–115°	115°–60°
To 100°	5-3/4" (146)	12-3/8" (314)	>4"	AF89J	120°	75°–120°	120°–70°
			8"	AF89J	125°	80°–125°	125°–70°
Over 100°	1-3/4" (44)	8-3/8" (213)	0"	AF89	180°	85°–180°	180°–80°
			4"	AF89	180°	95°–180°	180°–95°
Over 100°	1-3/4" (44)	8-3/8" (213)	>4"	AF89J	180°	95°–180°	180°–95°
			8"	AF89J	160°	105°–160°	160°–100°

*Backcheck positioning valve factory preset to on, advancing backcheck approx 15°.
Note: Bold type shows supplied arm.

Top jamb drop × Flat form arm × Backplate



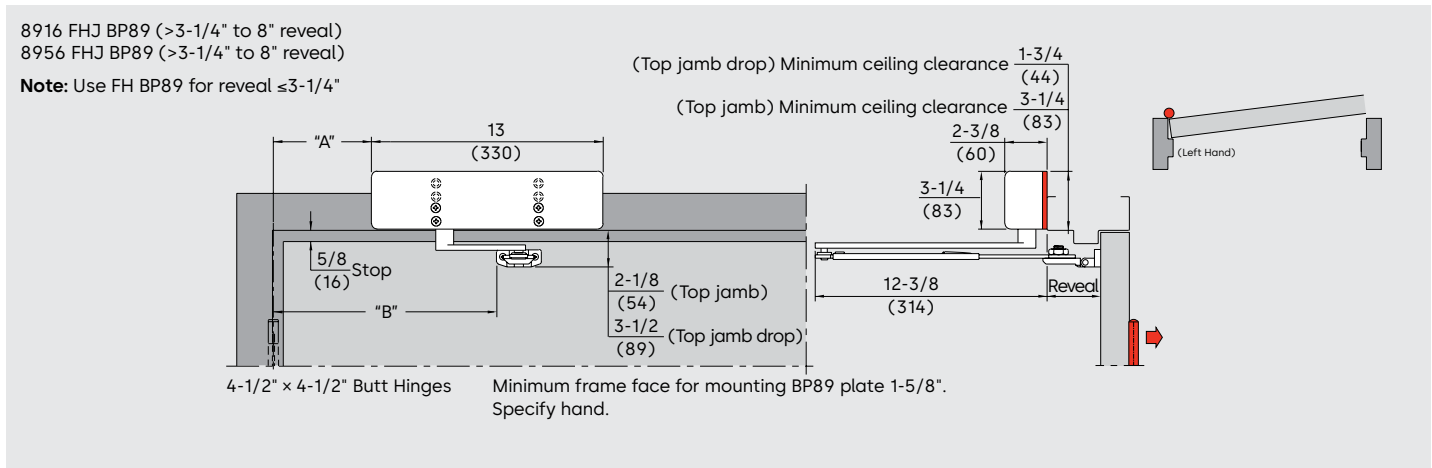
Size selection chart

Closer	Interior/ Exterior	Door width						
		2'-0" min.	2'-6" max.	3'-0" max.	3'-6" max.	4'-0" max.	4'-6" max.	5'-0" max.
8616	Interior	•	•	⊘	⊘	⊘	⊘	N/A
	Exterior	•	•	•	•	•	N/A	N/A
8956	Interior	N/A	N/A	N/A	N/A	•	•	•
	Exterior	N/A	N/A	N/A	•	•	•	N/A

Template ref.	Dim "A"	Dim "B"	Reveal	Arm	Approx. max. opening	*Approx. backcheck	Approx. delayed action
To 100°	5-3/4" (146)	12-3/8" (314)	0"	AF89	115°	70°–115°	115°–60°
To 100°	5-3/4" (146)	12-3/8" (314)	>4"	AF89J	120°	75°–120°	120°–70°
To 100°	5-3/4" (146)	12-3/8" (314)	8"	AF89J	125°	80°–125°	125°–70°
Over 100°	1-3/4" (44)	8-3/8" (213)	0"	AF89	180°	85°–180°	180°–80°
Over 100°	1-3/4" (44)	8-3/8" (213)	4"	AF89	180°	95°–180°	180°–95°
Over 100°	1-3/4" (44)	8-3/8" (213)	>4"	AF89J	180°	95°–180°	180°–95°
Over 100°	1-3/4" (44)	8-3/8" (213)	8"	AF89J	160°	105°–160°	160°–100°

*Backcheck positioning valve factory preset to on, advancing backcheck approx 15°. **Note:** Bold type shows supplied arm.

Top jamb × Friction hold open × Backplate



Size selection chart

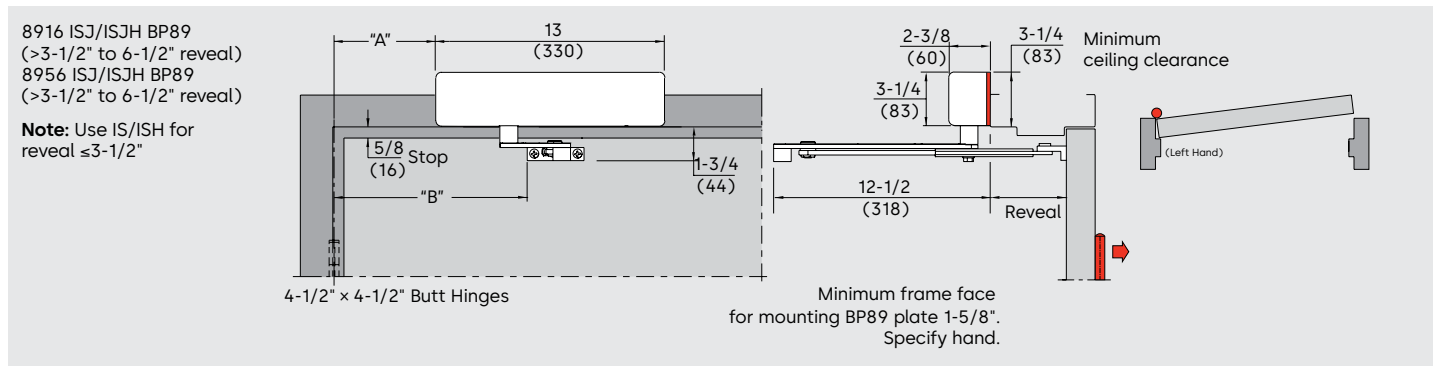
Closer	Interior/ Exterior	Door width						
		2'-0" min.	2'-6" max.	3'-0" max.	3'-6" max.	4'-0" max.	4'-6" max.	5'-0" max.
8616	Interior	•	•	⊘	⊘	⊘	⊘	N/A
	Exterior	•	•	•	•	•	N/A	N/A
8956	Interior	N/A	N/A	N/A	N/A	•	•	•
	Exterior	N/A	N/A	N/A	•	•	•	N/A

Template ref.	Dim "A"	Dim "B"	Reveal	Arm	Approx. max. opening	*Approx. backcheck	Approx. delayed action
To 100°	5-3/4" (146)	12-3/8" (314)	0"	AF89	115°	70°–115°	115°–60°
To 100°	5-3/4" (146)	12-3/8" (314)	>4"	AF89J	120°	75°–120°	120°–70°
To 100°	5-3/4" (146)	12-3/8" (314)	8"	AF89J	125°	80°–125°	125°–70°
Over 100°	1-3/4" (44)	8-3/8" (213)	0"	AF89	180°	85°–180°	180°–80°
Over 100°	1-3/4" (44)	8-3/8" (213)	4"	AF89	180°	95°–180°	180°–95°
Over 100°	1-3/4" (44)	8-3/8" (213)	>4"	AF89J	180°	95°–180°	180°–95°
Over 100°	1-3/4" (44)	8-3/8" (213)	8"	AF89J	160°	105°–160°	160°–100°

*Backcheck positioning valve factory preset to on, advancing backcheck approx 15°. **Note:** Bold type shows supplied arm.

Technical drawings

Top jamb × Cushion IS arm × Backplate



Size selection chart

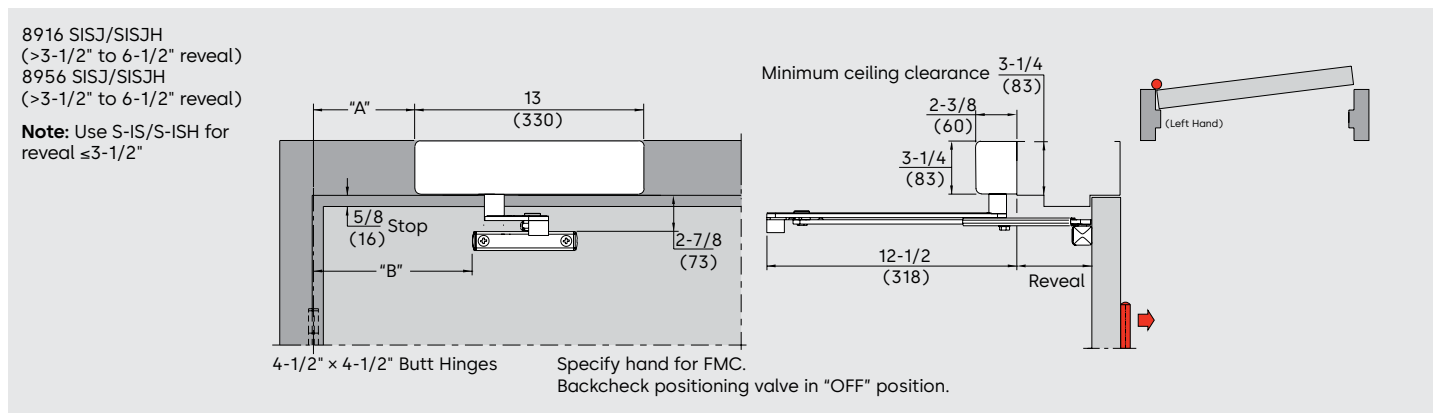
Closer	Interior/ Exterior	Door width						
		2'-0" min.	2'-6" max.	3'-0" max.	3'-6" max.	4'-0" max.	4'-6" max.	5'-0" max.
8616	Interior	•	•	⊗	⊗	⊗	⊗	N/A
	Exterior	•	•	•	•	•	N/A	N/A
8956	Interior	N/A	N/A	N/A	N/A	•	•	•
	Exterior	N/A	N/A	N/A	•	•	•	N/A

* Backcheck positioning valve factory preset to on, advancing backcheck approx 15°.

Note: Bold type shows supplied arm.

Template ref.	Dim "A"	Dim "B"	Reveal	Arm	Cushion/ Hold open	*Approx. backcheck	Approx. delayed action
85°	6-3/8" (162)	12-5/8" (321)	0"-3-1/2" >3-1/2"-6-1/2"	IS	85°	60°-85°	85°-60°
90°	5-5/8" (143)	12-1/8" (308)	0"-3-1/2" >3-1/2"-6-1/2"	IS	90°	60°-90°	90°-60°
95°	5-3/8" (137)	11-3/4" (298)	0"-3-1/2" >3-1/2"-6-1/2"	IS	95°	65°-95°	95°-65°
100°	5-1/8" (130)	11-1/4" (286)	0"-3-1/2" >3-1/2"-6-1/2"	IS	100°	70°-100°	100°-70°
105°	4-7/8" (124)	11" (279)	0"-3-1/2" >3-1/2"-6-1/2"	IS	105°	70°-105°	105°-70°
110°	4-5/8" (117)	10-3/4" (273)	0"-3-1/2" >3-1/2"-6-1/2"	IS	110°	70°-110°	110°-70°

Top jamb × Spring stop IS Arm



Size selection chart

Closer	Interior/ Exterior	Door width				
		2'-0" min.	2'-6" max.	3'-0" max.	3'-6" max.	4'-0" max.
8616	Interior	•	•	⊗	⊗	⊗
	Exterior	•	•	•	•	•
8956	Interior	N/A	N/A	N/A	N/A	•
	Exterior	N/A	N/A	N/A	•	•

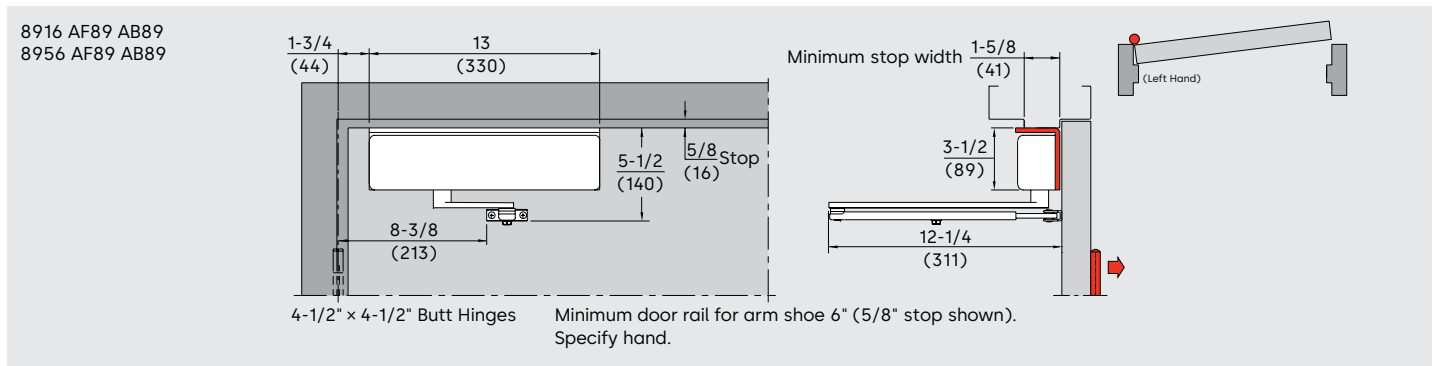
Template ref.	Dim "A"	Dim "B"	Reveal	Arm	**Dead stop/ Hold open	*Approx. backcheck	Approx. delayed action
85°	8-5/16" (211)	11" (279)	0"-3-1/2" >3-1/2"-6-1/2"	SIS	85°	60°-85°	85°-60°
90°	8" (203)	10-11/16" (271)	0"-3-1/2" >3-1/2"-6-1/2"	SIS	90°	60°-90°	90°-60°
100°	6-7/8" (175)	9-9/16" (243)	0"-3-1/2" >3-1/2"-6-1/2"	SIS	100°	65°-100°	100°-65°
110°	6-1/4" (159)	8-15/16" (227)	0"-3-1/2" >3-1/2"-6-1/2"	SIS	110°	70°-110°	110°-70°

* Backcheck positioning valve factory preset to on, advancing backcheck approx 15°.

** Hold open is approx 5°-7° less than the dead stop angle listed in the chart.

Note: Bold type shows supplied arm.

Top jamb × Flat form arm × Angle bracket



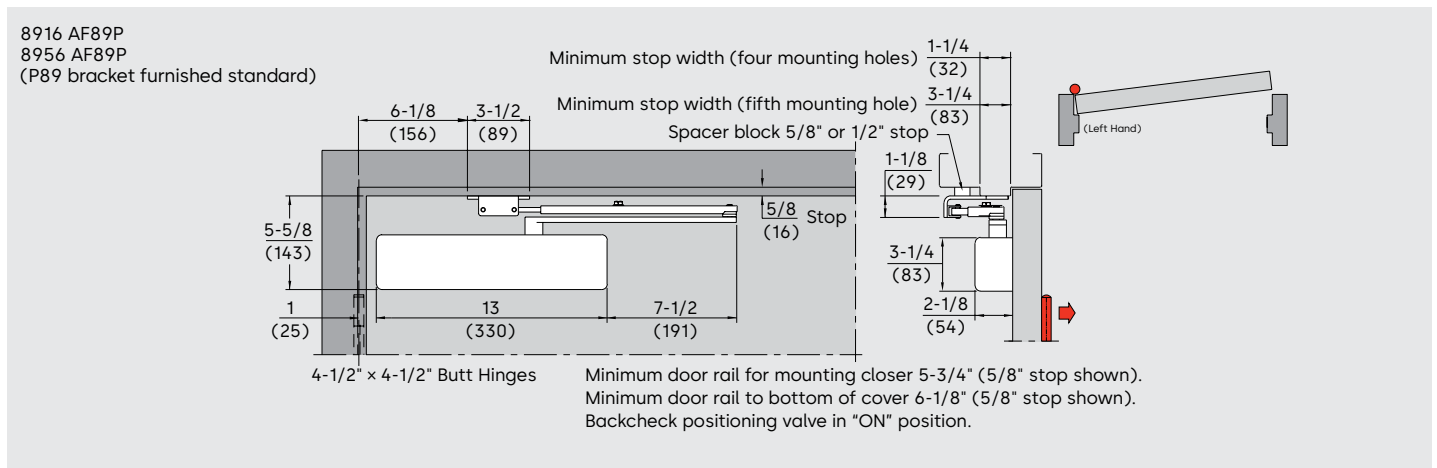
Size selection chart

Closer	Interior/ Exterior	Door width						
		2'-0" min.	2'-6" max.	3'-0" max.	3'-6" max.	4'-0" max.	4'-6" max.	5'-0" max.
8616	Interior	•	•	⊘	⊘	⊘	⊘	N/A
	Exterior	•	•	•	•	•	N/A	N/A
8956	Interior	N/A	N/A	N/A	N/A	•	•	•
	Exterior	N/A	N/A	N/A	•	•	•	N/A

Max. opening	*Approx. backcheck	Approx. delayed action
180°	70°–180°	180°–70°

*Backcheck is advanced approximately 15° with positioning valve on.

Parallel arm × Flat form arm



Size selection chart

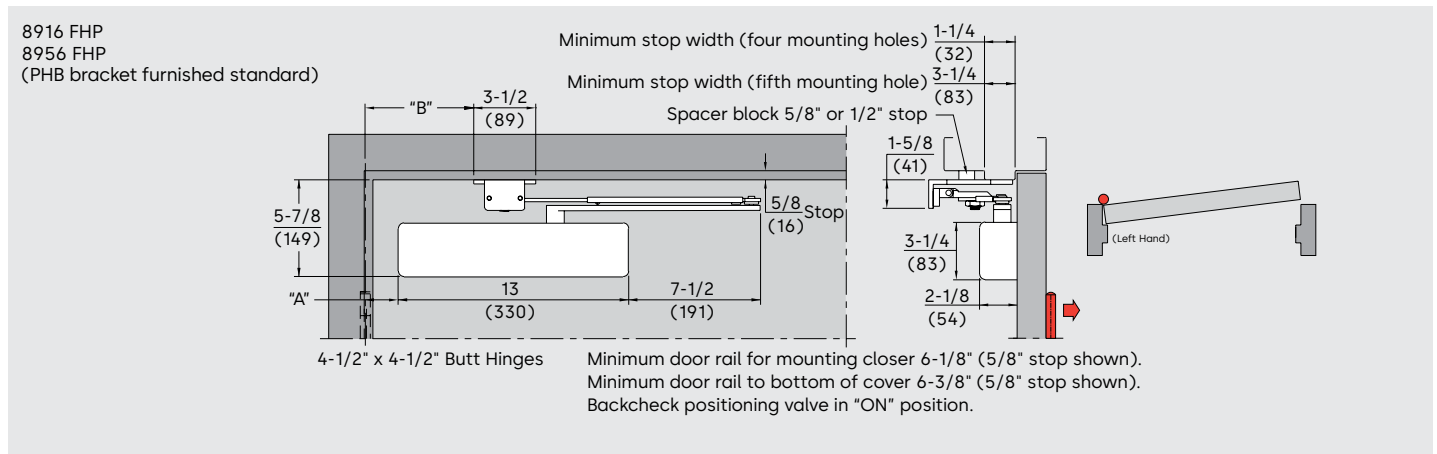
Closer	Interior/ Exterior	Door width						
		2'-0" min.	2'-6" max.	3'-0" max.	3'-6" max.	4'-0" max.	4'-6" max.	5'-0" max.
8616	Interior	•	•	⊘	⊘	⊘	N/A	N/A
	Exterior	•	•	•	•	N/A	N/A	N/A
8956	Interior	N/A	N/A	N/A	•	•	•	•
	Exterior	N/A	N/A	•	•	•	N/A	N/A

Max. opening	*Approx. backcheck	Approx. delayed action	Min. door width
180°	60°–180°	180°–70°	24"

*Backcheck is advanced approximately 15° with positioning valve on.

Technical drawings

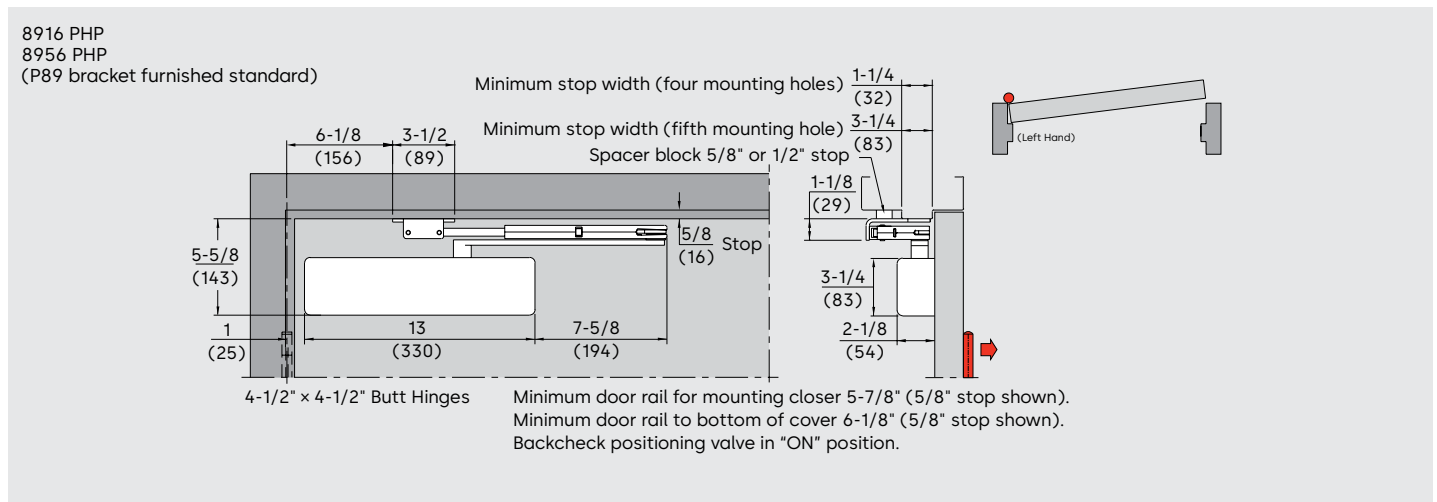
Parallel arm × Friction hold open



Size selection chart

Closer	Interior/ Exterior	Door width						Template ref.	Dim "A"	Dim "B"	Approx. max. opening	Approx. backcheck	Approx. delayed action	Min. hold open	Max. hold open	Min. door width
		2'-0" min.	2'-6" max.	3'-0" max.	3'-6" max.	4'-0" max.	4'-6" max.									
8616	Interior	•	•	⊘	⊘	⊘	N/A	To 100°	5-5/8" (143)	10-1/2" (267)	110°	65°–110°	110°–65°	45°	105°	29"
	Exterior	•	•	•	•	N/A	N/A	Over 100°	1-1/4" (32)	6-1/8" (156)	180°	60°–180°	180°–70°	45°	175°	24"
8956	Interior	N/A	N/A	N/A	•	•	•									
	Exterior	N/A	N/A	•	•	•	N/A									

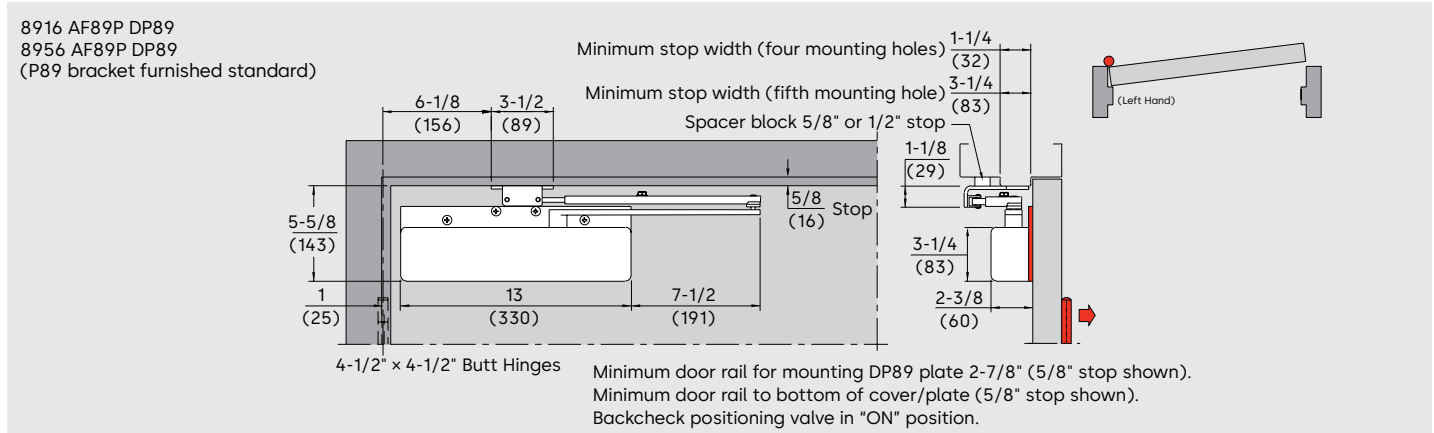
Parallel arm × Plunger hold open



Size selection chart

Closer	Interior/ Exterior	Door width						Max. opening	Approx. backcheck	Approx. delayed action	Min. hold open	Max. hold open	Min. door width
		2'-0" min.	2'-6" max.	3'-0" max.	3'-6" max.	4'-0" max.	4'-6" max.						
8616	Interior	•	•	⊘	⊘	⊘	N/A	180°	60°–180°	180°–75°	30°	130°	24°
	Exterior	•	•	•	•	N/A	N/A						
8956	Interior	N/A	N/A	N/A	•	•	•						
	Exterior	N/A	N/A	•	•	•	N/A						

Parallel arm × Flat form arm × Drop plate

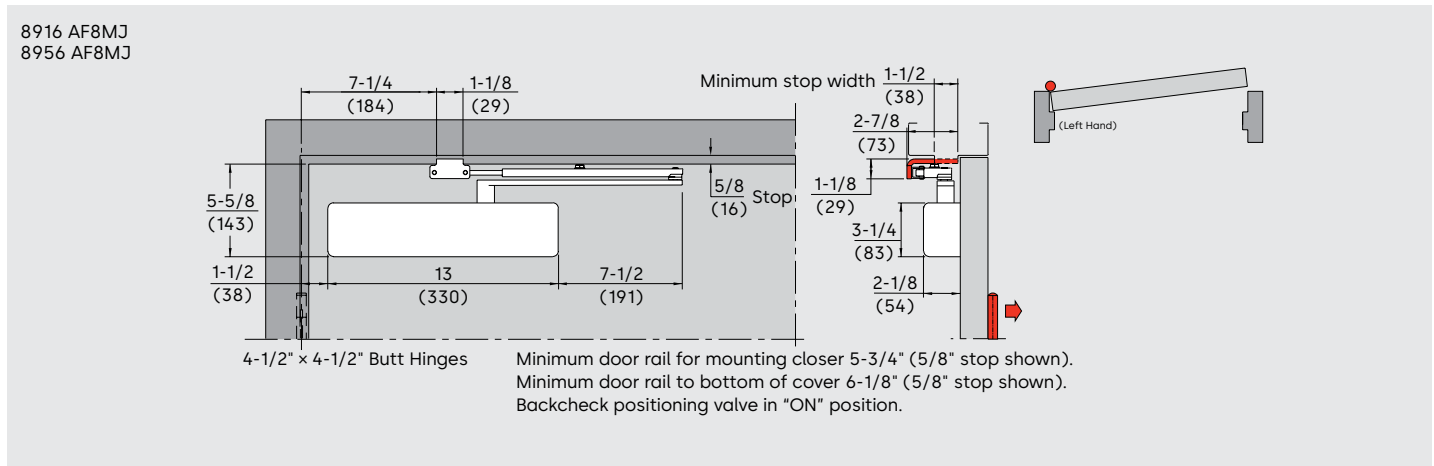


Size selection chart

Closer	Interior/ Exterior	Door width					
		2'-0" min.	2'-6" max.	3'-0" max.	3'-6" max.	4'-0" max.	4'-6" max.
8616	Interior	•	•	⊘	⊘	⊘	N/A
	Exterior	•	•	•	•	N/A	N/A
8956	Interior	N/A	N/A	N/A	•	•	•
	Exterior	N/A	N/A	•	•	•	N/A

Max. opening	Approx. backcheck	Approx. delayed action	Min. door width
180°	60°–180°	180°–70°	24"

Parallel arm × Flat form arm × Mortised jamb bracket



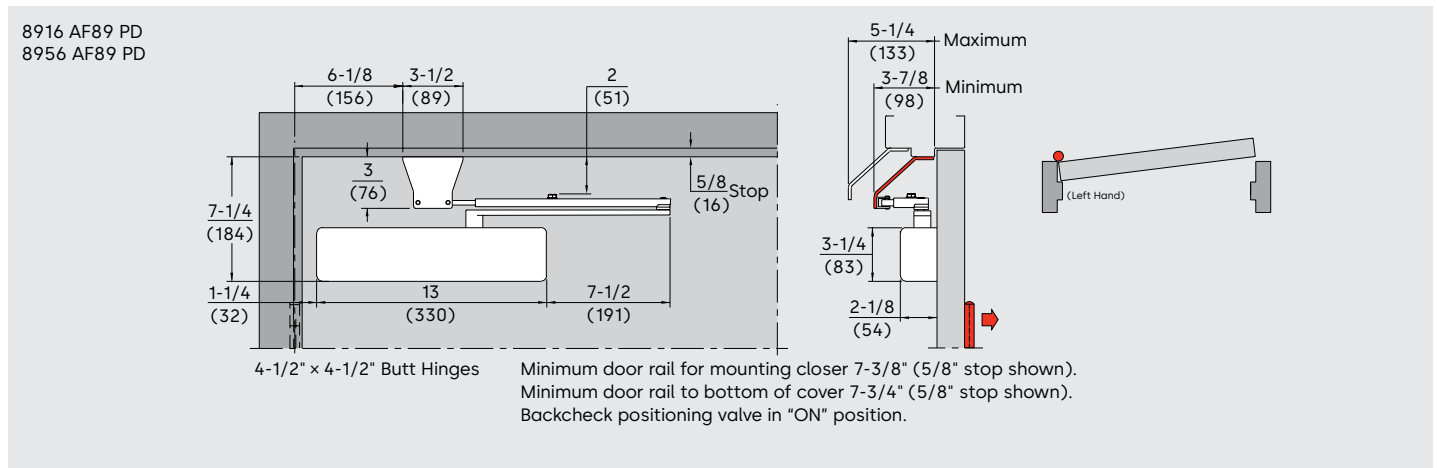
Size selection chart

Closer	Interior/ Exterior	Door width					
		2'-0" min.	2'-6" max.	3'-0" max.	3'-6" max.	4'-0" max.	4'-6" max.
8616	Interior	•	•	⊘	⊘	⊘	N/A
	Exterior	•	•	•	•	N/A	N/A
8956	Interior	N/A	N/A	N/A	•	•	•
	Exterior	N/A	N/A	•	•	•	N/A

Max. opening	Approx. backcheck	Approx. delayed action	Min. door width
180°	65°–180°	180°–70°	24"

Technical drawings

Parallel arm × Flat form arm × Parallel drop bracket



Size selection chart

Closer	Interior/ Exterior	Door width					
		2'-0" min.	2'-6" max.	3'-0" max.	3'-6" max.	4'-0" max.	4'-6" max.
8616	Interior	•	•	⊘	⊘	⊘	N/A
	Exterior	•	•	•	•	N/A	N/A
8956	Interior	N/A	N/A	N/A	•	•	•
	Exterior	N/A	N/A	•	•	•	N/A

Max. opening

180°

Approx. backcheck

70°–180°

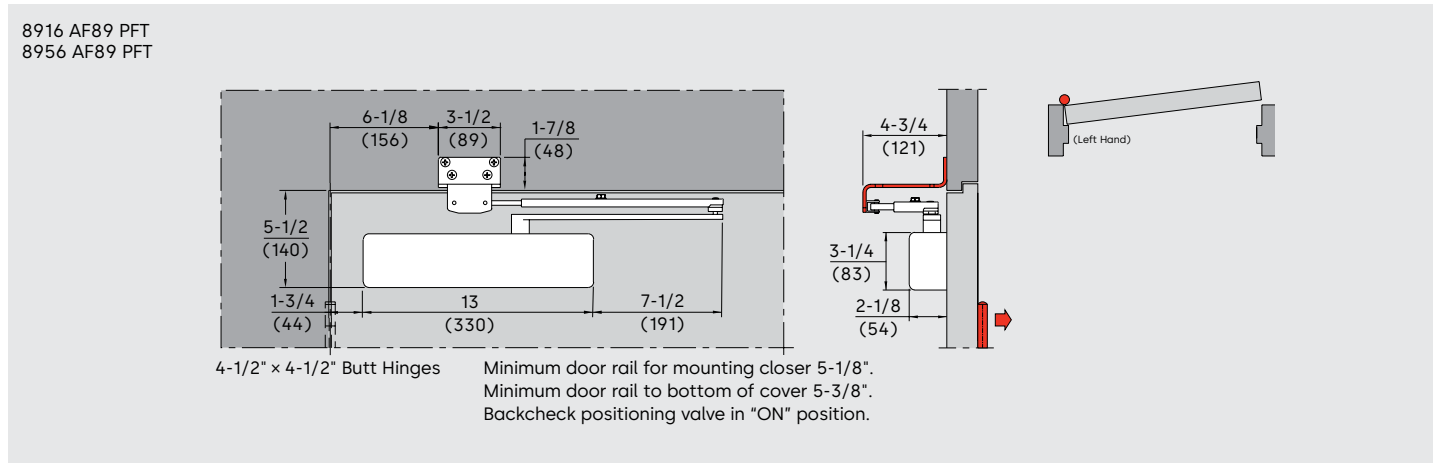
Approx. delayed action

180°–70°

Min. door width

24"

Parallel arm × Flat form arm × Parallel flush transom bracket



Size selection chart

Closer	Interior/ Exterior	Door width					
		2'-0" min.	2'-6" max.	3'-0" max.	3'-6" max.	4'-0" max.	4'-6" max.
8616	Interior	•	•	⊘	⊘	⊘	N/A
	Exterior	•	•	•	•	N/A	N/A
8956	Interior	N/A	N/A	N/A	•	•	•
	Exterior	N/A	N/A	•	•	•	N/A

Max. opening

180°

Approx. backcheck

60°–180°

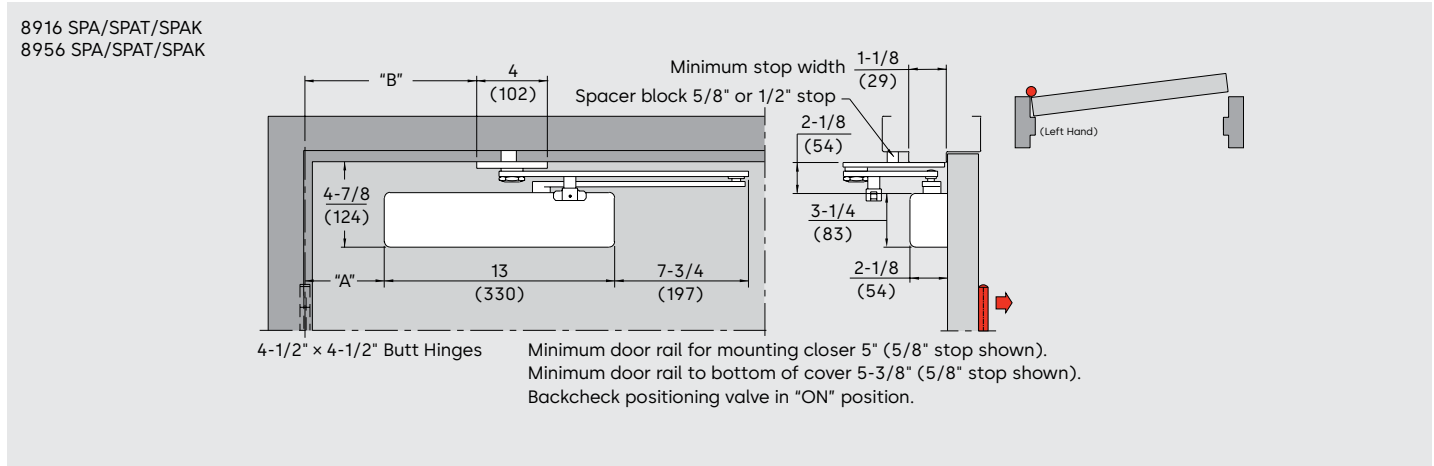
Approx. delayed action

180°–70°

Min. door width

24"

Heavy-duty super parallel arm

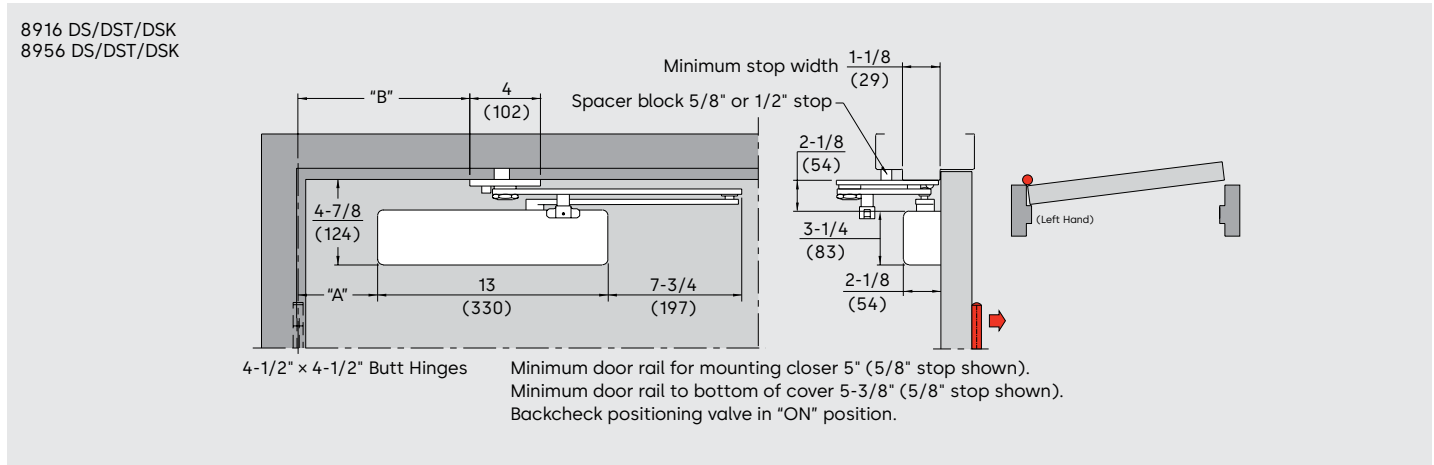


Size selection chart

Closer	Interior/ Exterior	Door width					
		2'-0" min.	2'-6" max.	3'-0" max.	3'-6" max.	4'-0" max.	4'-6" max.
8616	Interior	•	•	⊘	⊘	⊘	N/A
	Exterior	•	•	•	•	N/A	N/A
8956	Interior	N/A	N/A	N/A	•	•	•
	Exterior	N/A	N/A	•	•	•	N/A

Angle of opening/ hold open	Dim "A" closer	Dim "B" soffit plate	Approx. max. opening	Approx. backcheck	Approx. delayed action	Min. door width
To 100° H.O. 90°	4-1/2" (114)	9-3/8" (238)	100°	60°-100°	100°-65°	26"
To 180° H.O. 125°	7/8" (22)	6-1/4" (159)	180°	70°-180°	180°-75°	23"
(ABP) Advanced Backcheck Position						
To 100° H.O. 90°	4-3/4" (121)	9-7/8" (251)	100°	45°-100°	100°-70°	28"

Heavy-Duty parallel arm door saver x Cushion



Size selection chart

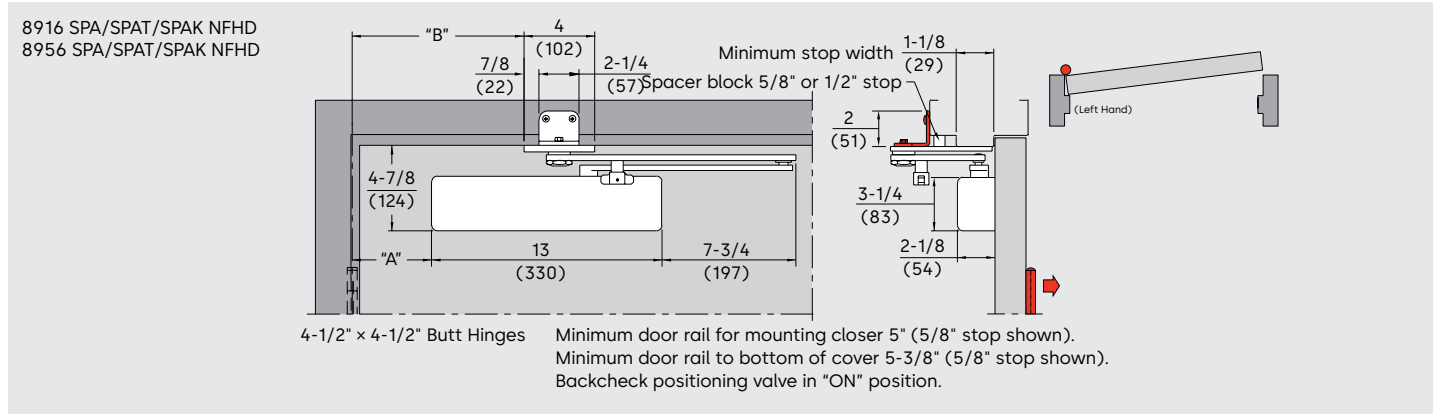
Closer	Interior/ Exterior	Door width					
		2'-0" min.	2'-6" max.	3'-0" max.	3'-6" max.	4'-0" max.	4'-6" max.
8616	Interior	•	•	⊘	⊘	⊘	N/A
	Exterior	•	•	•	•	N/A	N/A
8956	Interior	N/A	N/A	N/A	•	•	•
	Exterior	N/A	N/A	•	•	•	N/A

Template ref.	Dim "A" closer	Dim "B" soffit plate	*Cushion/ hold open	Approx. backcheck	Approx. delayed action	Min. door width
85°	4-3/8" (111)	10-5/8" (270)	85°	50°-85°	85°-60°	26"
90°	3-1/2" (89)	9-3/4" (248)	90°	55°-90°	90°-60°	25"
100°	2-3/8" (60)	8-5/8" (219)	100°	60°-100°	100°-65°	24"
110°	1-1/4" (32)	7-1/2" (191)	110°	65°-110°	110°-70°	23"

* Hold open is approx 1°-2° less than the cushion angle listed in the chart.

Technical drawings

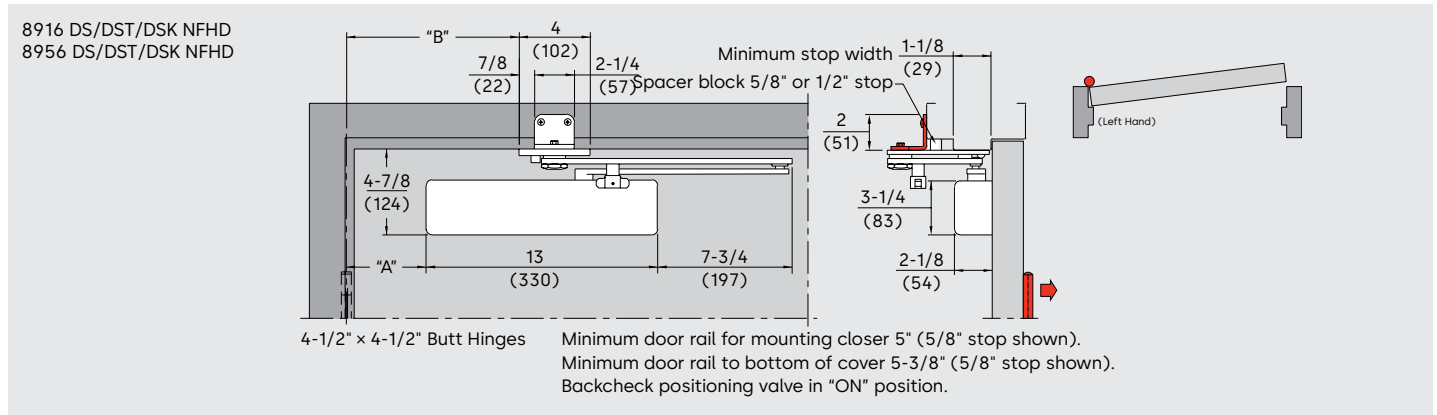
Heavy-duty super parallel arm × Narrow frame bracket



Size selection chart

Closer	Interior/ Exterior	Door width				Angle of opening/ hold open	Dim "A" closer	Dim "B" soffit plate	Approx. max. opening	Approx. backcheck	Approx. delayed action	Min. door width
		2'-0" min.	2'-6" max.	3'-0" max.	3'-6" max.							
8616	Interior	•	•	⊘	⊘	To 100° H.O. 90°	4-1/2" (114)	9-3/8" (238)	100°	60°–100°	100°–65°	26"
	Exterior	•	•	•	•	To 180° H.O. 125°	7/8" (22)	6-1/4" (159)	180°	70°–180°	180°–75°	23"
8956	Interior	N/A	N/A	N/A	•	(ABP) Advanced Backcheck Position						
	Exterior	N/A	N/A	•	•	To 100° H.O. 90°	4-3/4" (121)	9-7/8" (251)	100°	45°–100°	100°–70°	28"

Heavy-duty parallel arm door saver × Cushion × Narrow frame bracket

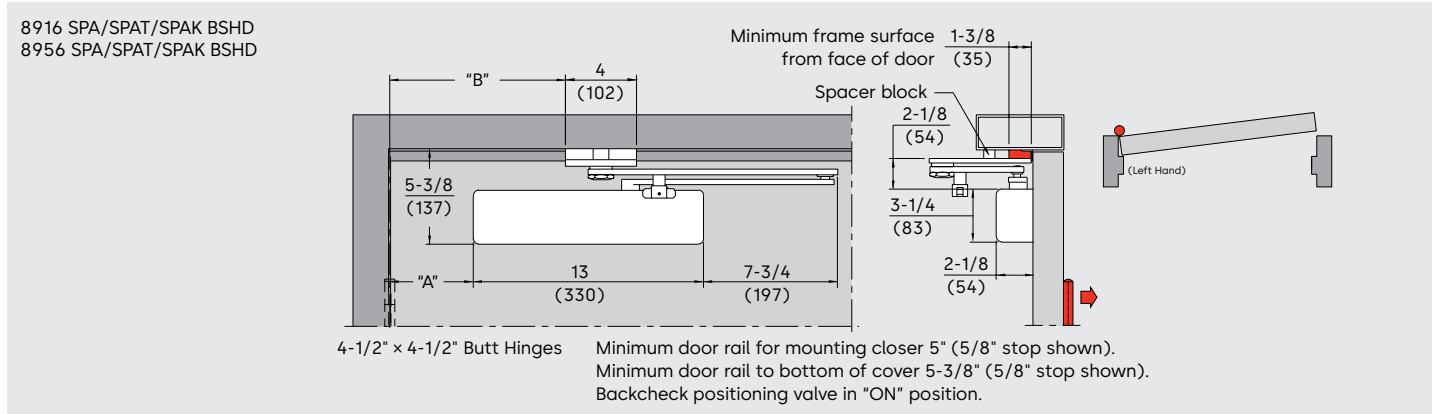


Size selection chart

Closer	Interior/ Exterior	Door width				Template ref.	Dim "A" closer	Dim "B" soffit plate	*Cushion/ Hold open	Approx. backcheck	Approx. delayed action	Min. door width
		2'-0" min.	2'-6" max.	3'-0" max.	3'-6" max.							
8616	Interior	•	•	⊘	⊘	85°	4-3/8" (111)	10-5/8" (270)	85°	50°–85°	85°–60°	26"
	Exterior	•	•	•	•	90°	3-1/2" (89)	9-3/4" (248)	90°	55°–90°	90°–60°	25"
8956	Interior	N/A	N/A	N/A	•	100°	2-3/8" (60)	8-5/8" (219)	100°	60°–100°	100°–65°	24"
	Exterior	N/A	N/A	•	•	110°	1-1/4" (32)	7-1/2" (191)	110°	65°–110°	110°–70°	23"

* Hold open is approx 1°–2° less than the cushion angle listed in the chart.

Heavy-duty super parallel arm × Blade stop spacer

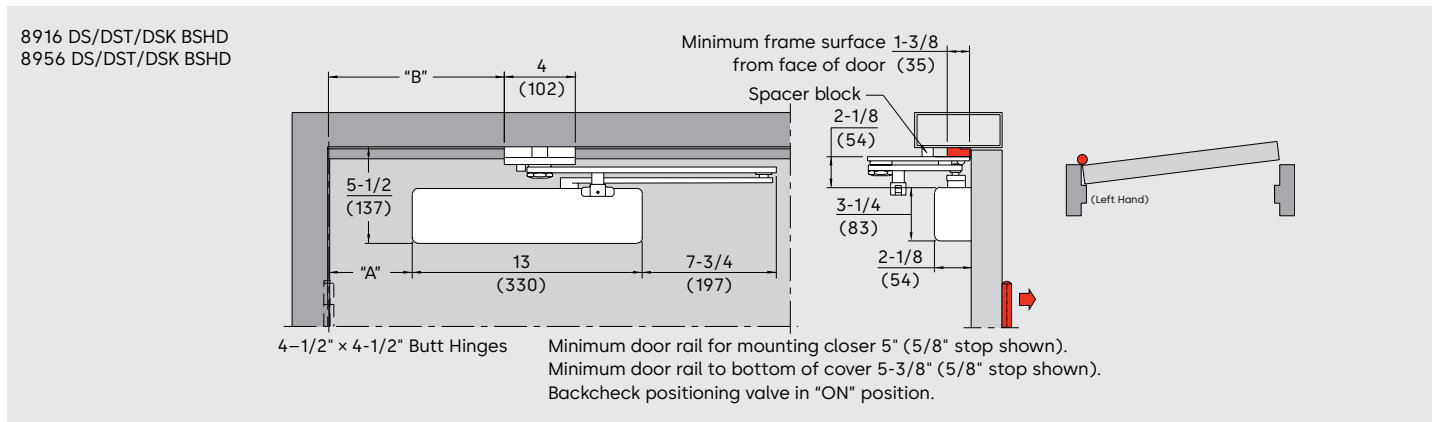


Size selection chart

Closer	Interior/ Exterior	Door width					
		2'-0" min.	2'-6" max.	3'-0" max.	3'-6" max.	4'-0" max.	4'-6" max.
8616	Interior	•	•	⊗	⊗	⊗	N/A
	Exterior	•	•	•	•	N/A	N/A
8956	Interior	N/A	N/A	N/A	•	•	•
	Exterior	N/A	N/A	•	•	•	N/A

Angle of opening/ hold open	Dim "A" closer	Dim "B" soffit plate	Approx. max. opening	Approx. backcheck	Approx. delayed action	Min. door width
To 100° H.O. 90°	4-1/2" (114)	9-3/8" (238)	100°	60°-100°	100°-65°	26"
To 180° H.O. 125°	7/8" (22)	6-1/4" (159)	180°	70°-180°	180°-75°	23"
(ABP) Advanced Backcheck Position						
To 100° H.O. 90°	4-3/4" (121)	9-7/8" (251)	100°	45°-100°	100°-70°	28"

Heavy-duty parallel arm door saver × Cushion × Blade stop spacer



Size selection chart

Closer	Interior/ Exterior	Door width					
		2'-0" min.	2'-6" max.	3'-0" max.	3'-6" max.	4'-0" max.	4'-6" max.
8616	Interior	•	•	⊗	⊗	⊗	N/A
	Exterior	•	•	•	•	N/A	N/A
8956	Interior	N/A	N/A	N/A	•	•	•
	Exterior	N/A	N/A	•	•	•	N/A

Template ref.	Dim "A" closer	Dim "B" soffit plate	*Cushion/ Hold open	Approx. backcheck	Approx. delayed action	Min. door width
85°	4-3/8" (111)	10-5/8" (270)	85°	50°-85°	85°-60°	26"
90°	3-1/2" (89)	9-3/4" (248)	90°	55°-90°	90°-60°	25"
100°	2-3/8" (60)	8-5/8" (219)	100°	60°-100°	100°-65°	24"
110°	1-1/4" (32)	7-1/2" (191)	110°	65°-110°	110°-70°	23"

* Hold open is approx 1°-2° less than the cushion angle listed in the chart.

Technical drawings

Heavy-duty super parallel arm × Flush transom bracket

8916 SPA/SPAT/SPAK FTHD
8956 SPA/SPAT/SPAK FTHD

4-1/2" × 4-1/2" Butt Hinges Minimum door rail for mounting closer 4-3/4" (5/8" stop shown)
Minimum door rail to bottom of cover 5-1/8" (5/8" stop shown)
Backcheck positioning valve in "ON" position.

Size selection chart

Closer	Interior/ Exterior	Door width						Angle of opening/ hold open	Dim "A" closer	Dim "B" soffit plate	Approx. max. opening	Approx. backcheck	Approx. delayed action	Min. door width
		2'-0" min.	2'-6" max.	3'-0" max.	3'-6" max.	4'-0" max.	4'-6" max.							
8616	Interior	•	•	♿	♿	♿	N/A	To 100° H.O. 90°	4-1/2" (114)	9-3/8" (238)	100°	60°–100°	100°–65°	26"
	Exterior	•	•	•	•	N/A	N/A	To 180° H.O. 125°	7/8" (22)	6-1/4" (159)	180°	70°–180°	180°–75°	23"
8956	Interior	N/A	N/A	N/A	•	•	•	(ABP) Advanced Backcheck Position						
	Exterior	N/A	N/A	•	•	•	N/A	To 100° H.O. 90°	4-3/4" (121)	9-7/8" (251)	100°	45°–100°	100°–70°	28"

Heavy-duty parallel arm door saver × Cushion × Flush transom bracket

8916 DS/DST/DSK FTHD
8956 DS/DST/DSK FTHD

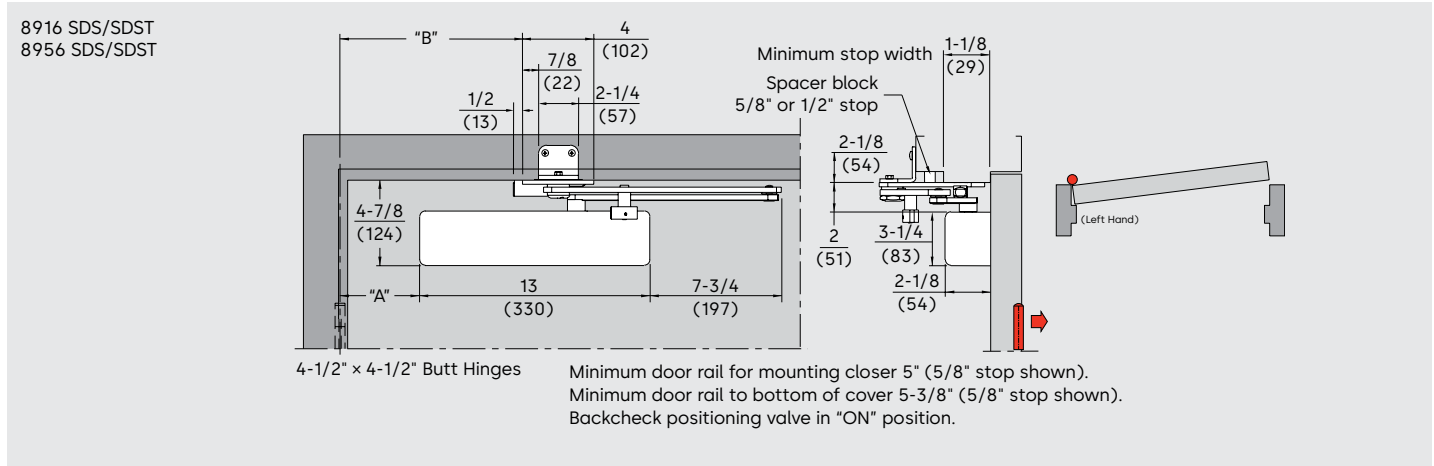
4-1/2" × 4-1/2" Butt Hinges Minimum door rail for mounting closer 4-3/4" (5/8" stop shown).
Minimum door rail to bottom of cover 5-1/8" (5/8" stop shown).
Backcheck positioning valve in "ON" position.

Size selection chart

Closer	Interior/ Exterior	Door width						Template ref.	Dim "A" closer	Dim "B" soffit plate	*Cushion/ Hold open	Approx. backcheck	Approx. delayed action	Min. door width
		2'-0" min.	2'-6" max.	3'-0" max.	3'-6" max.	4'-0" max.	4'-6" max.							
8616	Interior	•	•	♿	♿	♿	N/A	85°	4-3/8" (111)	10-5/8" (270)	85°	50°–85°	85°–60°	26"
	Exterior	•	•	•	•	N/A	N/A	90°	3-1/2" (89)	9-3/4" (248)	90°	55°–90°	90°–60°	25"
8956	Interior	N/A	N/A	N/A	•	•	•	100°	2-3/8" (60)	8-5/8" (219)	100°	60°–100°	100°–65°	24"
	Exterior	N/A	N/A	•	•	•	N/A	110°	1-1/4" (32)	7-1/2" (191)	110°	65°–110°	110°–70°	23"

* Hold open is approx 1°–2° less than the cushion angle listed in the chart.

Heavy-duty parallel arm x Spring door saver



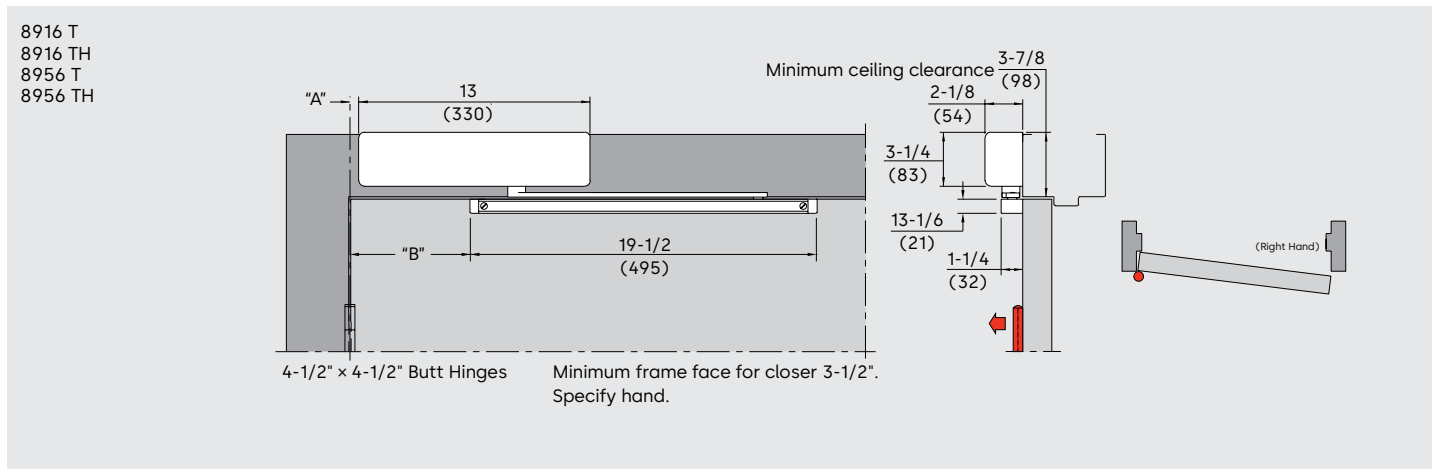
Size selection chart

Closer	Interior/ Exterior	Door width					
		2'-0" min.	2'-6" max.	3'-0" max.	3'-6" max.	4'-0" max.	4'-6" max.
8616	Interior	•	•	♿	♿	♿	N/A
	Exterior	•	•	•	•	N/A	N/A
8956	Interior	N/A	N/A	N/A	•	•	•
	Exterior	N/A	N/A	•	•	•	N/A

Template ref.	Dim "A" closer	Dim "B" soffit plate	*Dead stop/ hold open	Approx. backcheck	Approx. delayed action	Min. door width
85°	4-3/8" (111)	10-5/8" (270)	85°	50°-85°	85°-60°	26"
90°	3-1/2" (89)	9-3/4" (248)	90°	55°-90°	90°-60°	25"
100°	2-3/8" (60)	8-5/8" (219)	100°	60°-100°	100°-65°	24"
110°	1-1/4" (32)	7-1/2" (191)	110°	65°-110°	110°-70°	23"

* Hold open is approx 5°-7° less than the dead stop angle listed in the chart.

Track—pull side door mounted



Size selection chart

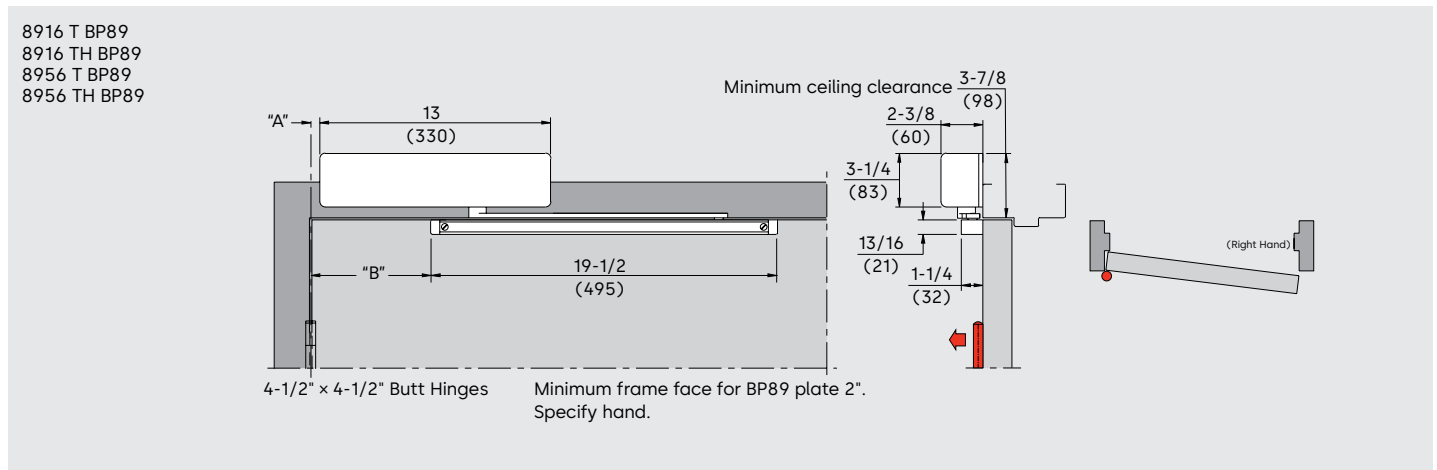
Closer	Interior/ Exterior	Door width				
		2'-0" min.	2'-6" max.	3'-0" max.	3'-6" max.	4'-0" max.
8616	Interior	•	•	♿	♿	N/A
	Exterior	•	•	•	N/A	N/A
8956	Interior	N/A	N/A	•	•	•
	Exterior	N/A	•	•	•	N/A

Template ref.	Dim "A" closer	Dim "B"	Cushion	Max. hold open	*Approx. backcheck	Approx. delayed action	Min. door width
85°	1/2" (13)	9-3/4" (248)	85°	80°	70°-85°	85°-60°	31"
90°	1/2" (13)	9" (229)	90°	85°	70°-90°	90°-60°	30"
110°	1/2" (13)	6-1/4" (159)	110°	105°	70°-110°	110°-60°	27"
180°	3/4" (19)	4" (102)	180°	160°	75°-180°	180°-65°	25"

*Backcheck positioning valve preset to on, advancing backcheck to approx 15°.

Technical drawings

Track—pull side door mounted × Backplate

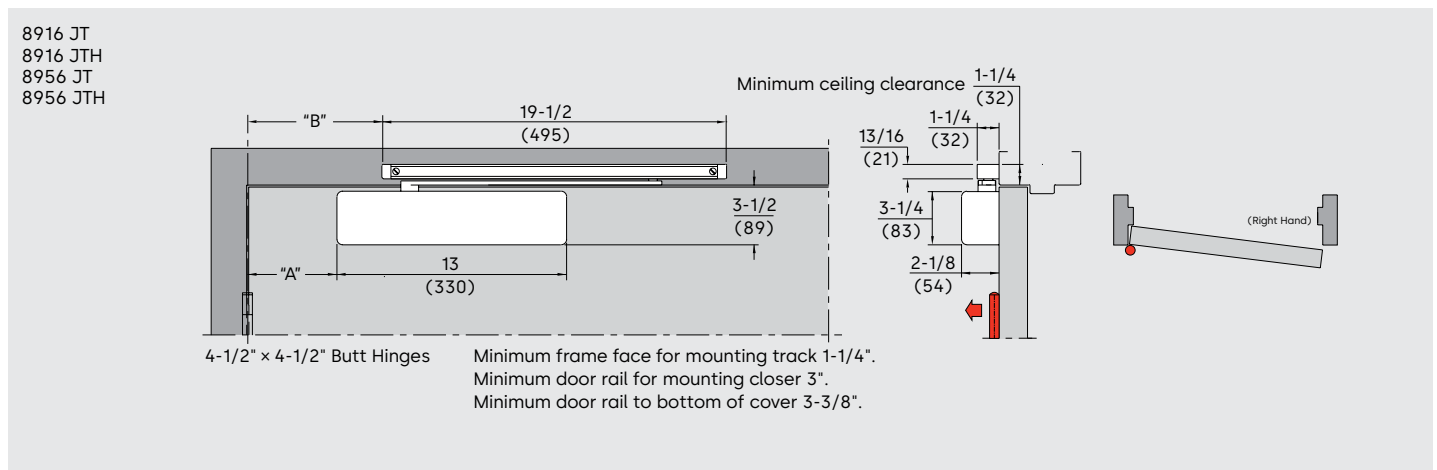


Size selection chart

Closer	Interior/ Exterior	Door width					Template ref.	Dim "A" closer	Dim "B"	Cushion	Max. hold open	*Approx. backcheck	Approx. delayed action	Min. door width
		2'-0" min.	2'-6" max.	3'-0" max.	3'-6" max.	4'-0" max.								
8616	Interior	•	•	♿	♿	N/A	85°	1/2" (13)	9-3/4" (248)	85°	80°	70°–85°	85°–60°	31"
	Exterior	•	•	•	N/A	N/A	90°	1/2" (13)	9" (229)	90°	85°	70°–90°	90°–60°	30"
8956	Interior	N/A	N/A	•	•	•	110°	1/2" (13)	6-1/4" (159)	110°	105°	70°–110°	110°–60°	27"
	Exterior	N/A	•	•	•	N/A	180°	3/4" (19)	4" (102)	180°	160°	75°–180°	180°–65°	25"

*Backcheck positioning valve preset to on, advancing backcheck to approx 15°.

Jamb track—Pull side frame mounted

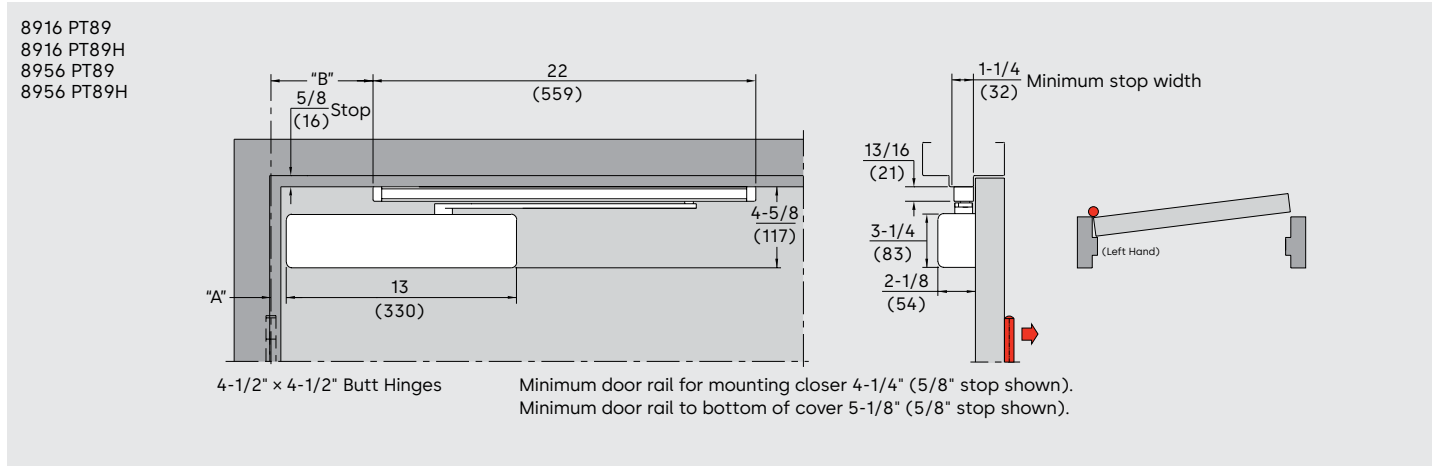


Size selection chart

Closer	Interior/ Exterior	Door width					Template ref.	Dim "A" closer	Dim "B" soffit plate	Cushion	Max. hold open	*Approx. backcheck	Approx. delayed action	Min. door width
		2'-0" min.	2'-6" max.	3'-0" max.	3'-6" max.	4'-0" max.								
8616	Interior	•	•	♿	•	N/A	85°	3-1/2" (89)	9-3/4" (248)	85°	80°	75°–85°	85°–65°	31"
	Exterior	•	•	•	N/A	N/A	90°	3-1/2" (89)	9" (229)	90°	85°	75°–90°	90°–65°	30"
8956	Interior	N/A	N/A	•	•	•	110°	3-1/2" (89)	7" (178)	110°	100°	75°–110°	110°–65°	28"
	Exterior	N/A	•	•	•	N/A	175°	3-1/2" (89)	4" (102)	178°	145°	75°–180°	178°–65°	25"

*Backcheck positioning valve preset to on, advancing backcheck to approx 15°.

Push track—Push side soffit mounted

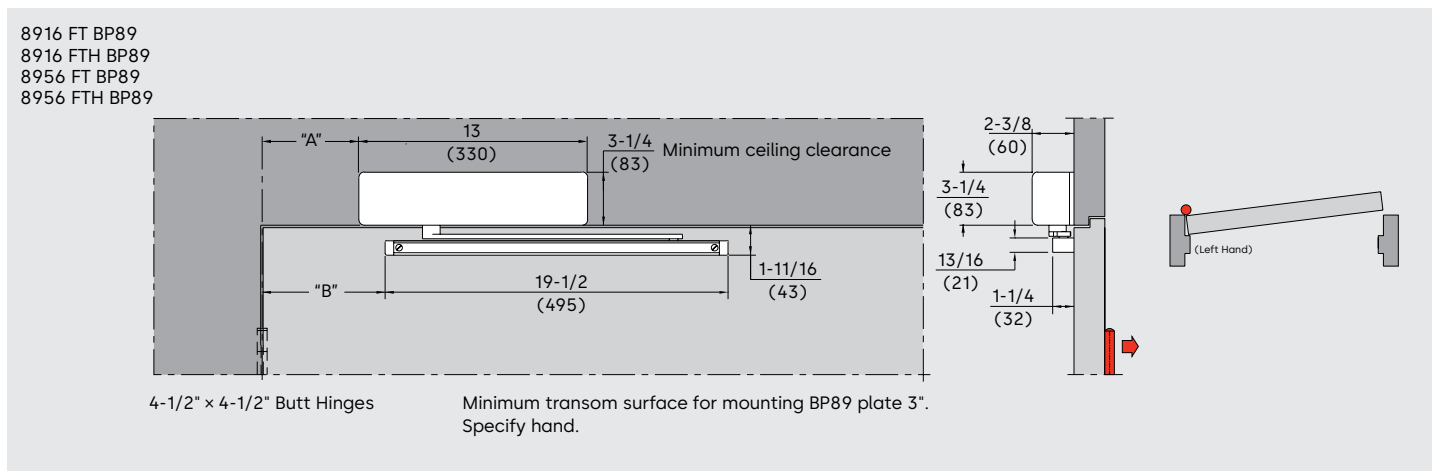


Size selection chart

Closer	Interior/Exterior	2'-6" max.	3'-0" max.	3'-6" max.	4'-0" max.
8616	Interior	•	•	•	N/A
	Exterior	•	•	N/A	N/A
8956	Interior	N/A	•	•	•
	Exterior	•	•	•	N/A

*Backcheck positioning valve preset to on, advancing backcheck to approx 15°.

Flush track—Push side door mounted x Backplate



Size selection chart

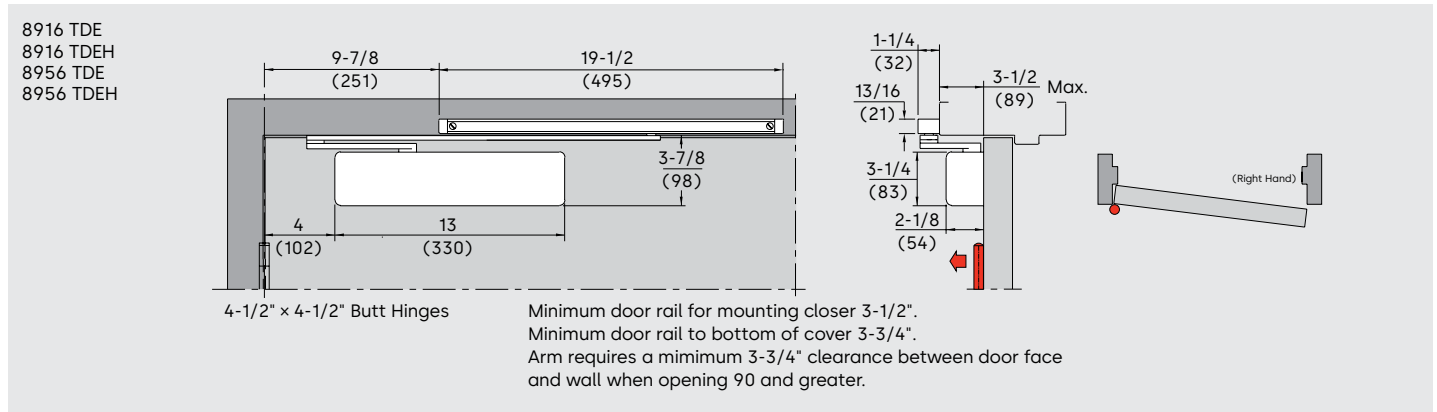
Closer	Interior/Exterior	Door width				
		2'-0" min.	2'-6" max.	3'-0" max.	3'-6" max.	4'-0" max.
8616	Interior	•	•	♿	♿	N/A
	Exterior	•	•	•	N/A	N/A
8956	Interior	N/A	N/A	•	•	•
	Exterior	N/A	•	•	•	N/A

Template ref.	Dim "A" closer	Dim "B"	Cushion	Max. hold open	*Approx. backcheck	Approx. delayed action	Min. door width
85°	5-1/2" (140)	7" (178)	85°	80°	70°-85°	80°-65°	29"
90°	5-1/2" (140)	6-1/8" (156)	90°	85°	70°-90°	90°-60°	28"
110°	4-1/2" (114)	4-3/4" (121)	110°	105°	75°-110°	110°-65°	26"
135°	3-1/2" (89)	3-3/4" (95)	135°	125°	85°-135°	135°-70°	25"

*Backcheck positioning valve preset to on, advancing backcheck to approx 15°.

Technical drawings

Track double egress—Pull side frame mounted

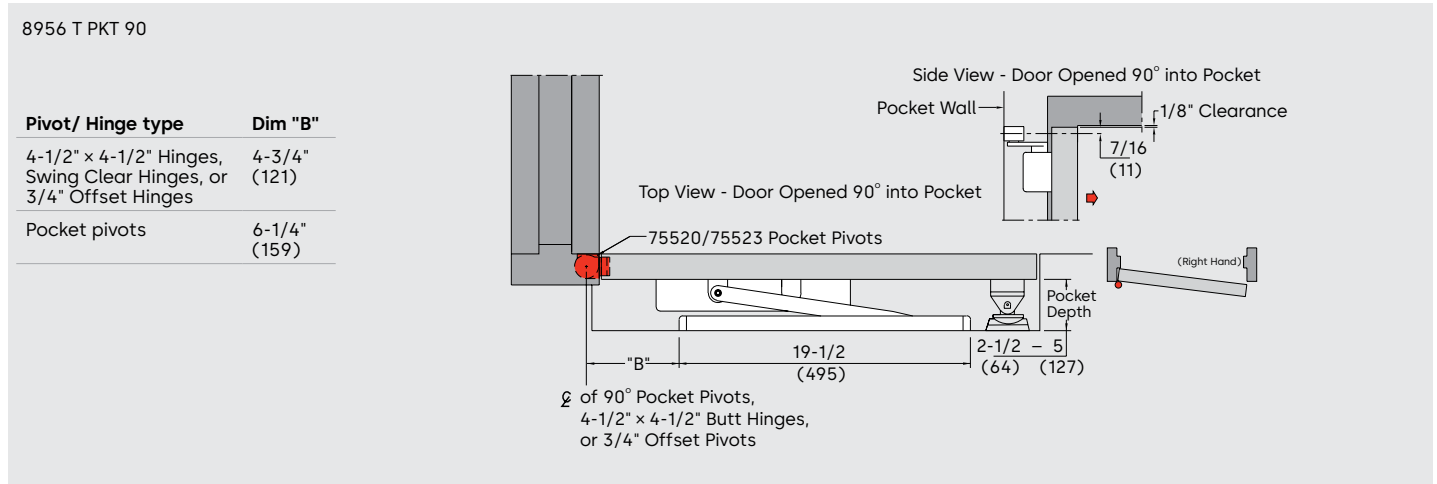


Size selection chart

Closer	Interior/ Exterior	2'-6" max.	3'-0" max.	3'-6" max.	4'-0" max.	Template ref.	Cushion	Max. hold open	*Approx. backcheck	Approx. delayed action	Min. door width
8616	Interior	•	•	•	N/A	125°	125°	110°	80°–125°	125°–65°	30"
	Exterior	•	•	N/A	N/A						
8956	Interior	N/A	•	•	•						
	Exterior	•	•	•	N/A						

*Backcheck is advanced approximately 15° with positioning valve on.

90° Pocket door (track arm)



All dormakaba pocket door closers, combined with a dormakaba EM Series wall magnet, create a held open flush door until power is interrupted or the door is manually shut. See individual EM and LM Series product brochures for specific magnet and pivot information.

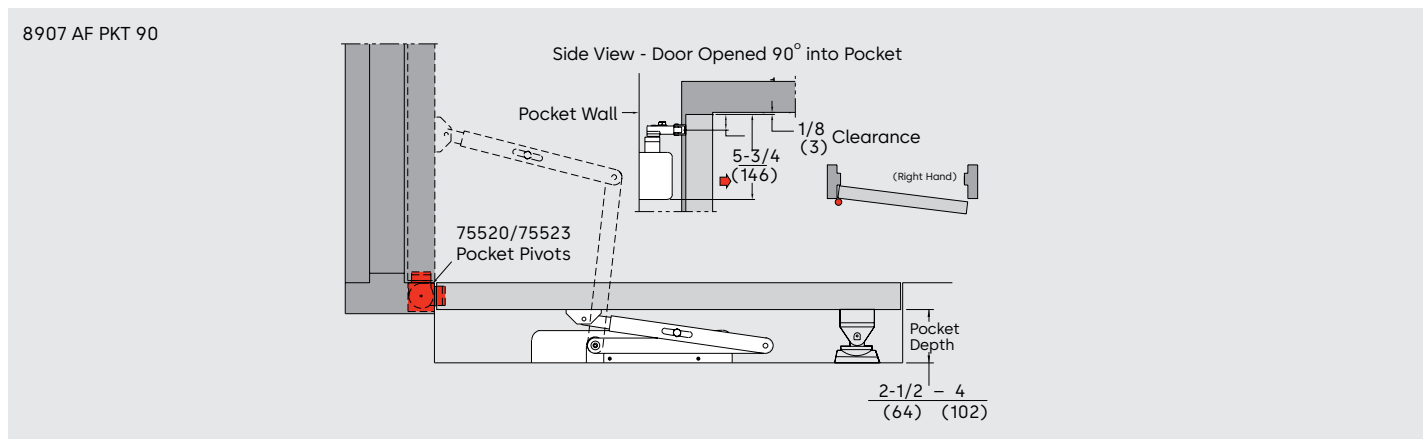
Size selection chart

Closer	Interior/Exterior	Door width
8616	Interior	3'-0" max.

Template ref.	*Approx.backcheck	Approx. delayed action	Min. door width
90°	65°–90°	90°–65°	26"

* Backcheck positioning valve factory preset to on, advancing backcheck approx 15°.

90° pocket door (double-lever arm)



All dormakaba pocket door closers, combined with a dormakaba EM Series wall magnet, create a held open flush door until power is interrupted or the door is manually shut. See EM and LM Series product brochures for specific magnet and pivot information.

The recommended method for hanging a 90° pocket door is via the use of pocket pivots, which create optimum unobstructed space while creating a flush appearance with the door in line with the frame. Alternate methods using 3/4" Offset Pivots, Swing Clear Hinges, or Continuous Hinges are available. When using alternate methods, note where the pivot point of the hinge or pivot locates the door's angle of opening in order to determine the pocket depth.

Size selection chart

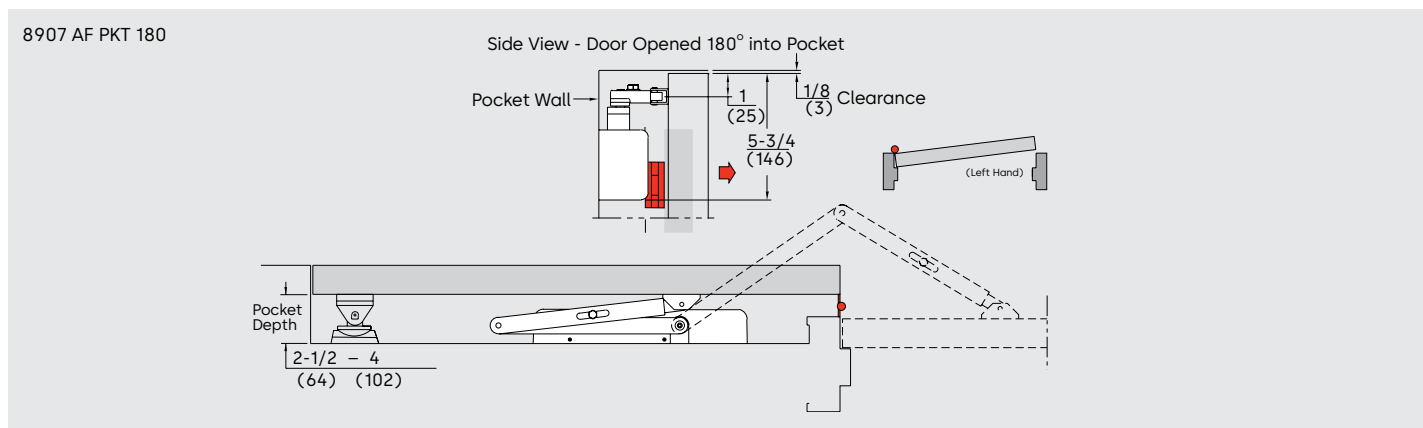
		Door width
Closer	Interior/Exterior	Door range
8907	Interior	2'-0" to 4'-0"

Template ref. *Approx.backcheck

90°	80°-90°
-----	---------

*Backcheck range is with positioning valve on.

180° Pocket door (double-lever arm)



The recommended method for hanging the door is via the use of butt hinges, which create optimum unobstructed space when the door is in the pocket. Alternate methods using 3/4" Offset Pivots, Swing Clear Hinges, or Continuous Hinges are available. When using alternate methods, note where the pivot point of the hinge or pivot locates the door's angle of opening in order to determine the pocket depth.

All dormakaba pocket door closers, combined with a dormakaba EM Series wall magnet, create a held open flush door until power is interrupted or the door is manually shut. See individual EM and LM Series product brochures for specific magnet and pivot information.

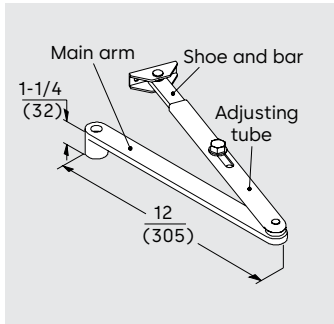
Size selection chart

		Door width
Closer	Interior/Exterior	Door range
8907	Interior	2'-0" to 3'-0"

Template ref.	*Approx. backcheck	Approx. delayed action
90°	80°-90°	180°-130°

*Backcheck range is with positioning valve on.

Accessories



Flat form arm

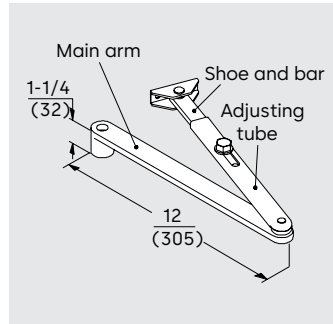
Standard arm furnished with 8900 Series closers. Arm is non-handed.

AF89 — Regular flat form arm, complete (0"–4" [0 mm–102 mm] reveal).

AF89J — Top jamb flat form arm complete (4"– 8" [102 mm to 203 mm] reveal).

AF89P — Parallel flat form arm complete (Tri-Pack) (0"– 4" [0 mm–102 mm] reveal). P89 included.

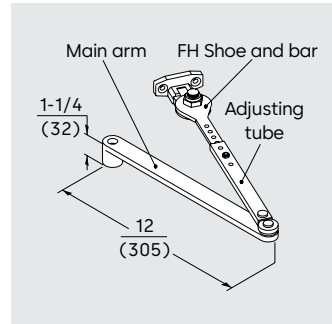
AFM89 — Regular flat form main arm and adjusting tube.



Flat form arm for MJ

AF8MJ — Regular flat form arm complete for use with MJ (mortise jamb) bracket.

MJ bracket ordered separately.



Friction hold open arm

Provides a hold open function between approximately 90° and 180° of door opening (conditions permitting). Arm is non-handed.

FH — Friction hold open arm complete (0"–4" [0 mm–102 mm] reveal).

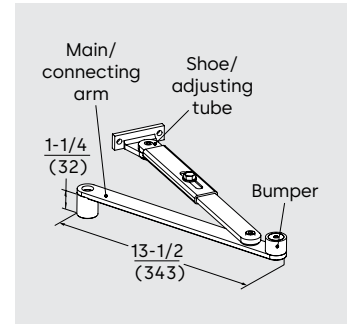
FHJ — Top jamb friction hold open arm complete (4"– 8" [102 mm–203 mm] reveal).

FHP — Friction hold open arm complete (Tri-Pack) (0"– 4" [0 mm–102 mm] reveal). PHB included.

FHM04 — Friction hold open main arm and adjusting tube (0"– 4" [0 mm–102 mm] reveal).

FHM48 — Friction hold open main arm and adjusting tube (3-1/4"–8" [83 mm–203 mm] reveal).

FHSB — Friction hold open shoe and bar.



Cushion IS Arm

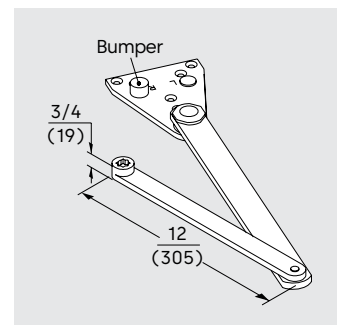
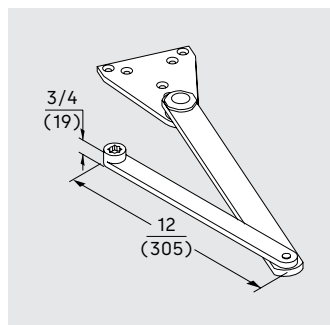
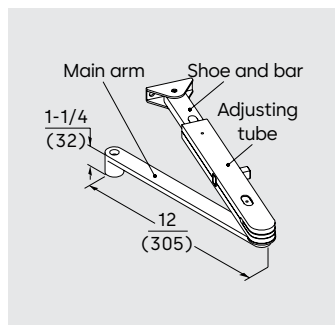
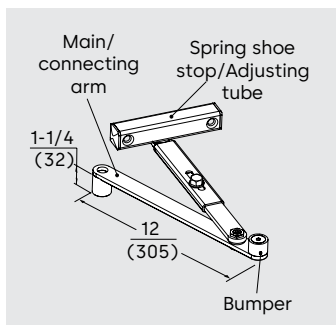
Provides a cushioned opening function for regular and top jamb applications at 85°, 90°, 95°, 100°, 105°, and 110°. Arm is non-handed.

IS — Cushion IS arm complete (0"– 3-1/2" [0 mm–89 mm] reveal).

ISJ — Cushion IS top jamb arm complete (3-1/2"–6-1/2" [89 mm–165 mm] reveal).

ISH — Cushion IS hold open arm complete (0"–3-1/2" [0–89 mm] reveal).

ISJH — Cushion IS top jamb hold open arm complete. (3-1/2"–6-1/2" [89 mm–165 mm] reveal).



Spring stop IS arm

Provides a spring assisted dead stop function for regular and top jamb applications at 85°, 90°, 100°, and 110°. Arm is non-handed.

SIS — Spring stop IS arm complete (0"–3-1/2" [0 mm–89 mm] reveal).

SISH — Spring stop IS hold open arm complete (0"–3-1/2" [0 mm–89 mm] reveal).

SISJ — Spring stop IS top jamb arm complete (3-1/2"–6-1/2" [89 mm–165 mm] reveal).

SISJH — Spring stop IS top jamb hold open arm complete (3-1/2"–6-1/2" [89 mm–165 mm] reveal).

Plunger hold open arm

provides a hold open function at a selected point within a range from Approx.ly 30° to 130° (conditions and installation applications permitting). Ideal for doors frequently placed in and out of hold open. Arm is non-handed.

PH — Plunger hold open arm complete regular or top jamb mount (0"–1-1/4" [0 mm–32 mm] reveal).

PHP — Plunger hold open arm complete parallel arm or top jamb mount (1-1/4"–3-1/4" [32 mm–83 mm] reveal).

PHM — Plunger hold open main arm and adjusting tube.

PHSB — Plunger hold open shoe and bar regular and top jamb mount (0"–1-1/4" [0 mm–32 mm] reveal).

PHSBP — Plunger hold open shoe and bar parallel arm or top jamb mount (1-1/4"–3-1/4" [32 mm–83 mm] reveal).

Super parallel arm

Heavy-duty parallel arm. Available in non-hold open, thumb turn hold open and hex key turn hold open. Units can be installed for maximum opening of 100° or 180°. Hold open units will hold open at 90° or 125°. Maximum opening is 180° (conditions permitting). Arm is non-handed. Non-hold open arm illustrated.

SPA — Super parallel arm non-hold open.

SPAT — Super parallel arm thumb turn hold open.

SPAK — Super parallel arm hex key turn hold open.

Door saver arm

heavy-duty parallel arm with integral cushioned opening function. Available in non-hold open, thumb turn hold open, and hex key turn hold open. Units can be installed to achieve either stop or stop and hold open at 85°, 90°, 100°, and 110°. Maximum opening is 110° (conditions permitting). Arm is non-handed. Non-hold open arm illustrated.

DS — Door saver arm non-hold open only.

DST — Door saver arm thumb turn hold open.

DSK — Door saver arm hex key turn hold open.

BUMPER DS — Door saver bumper only.

Cushion IS/Spring stop IS arm accessories

SISM — Cushion IS/spring stop IS main arm and connecting arm (0"–3-1/2" [0 mm–89 mm] reveal).

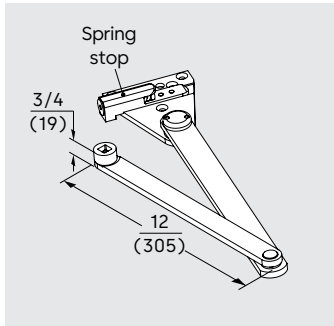
SISJM — Cushion IS/spring stop IS top jamb main arm and connecting arm (3-1/2"–6-1/2" [89 mm–165 mm] reveal).

ISSB — Cushion IS spring shoe stop and adjusting tube.

BUMPER IS — Cushion IS/spring stop IS urethane bumper.

S SPRING IS — Spring shoe stop assembly complete.

Accessories



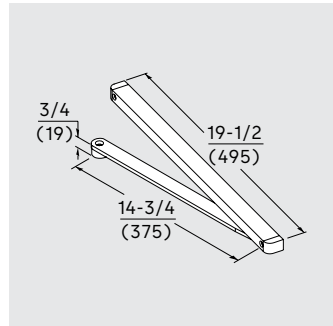
Spring stop door saver arm

Heavy-duty parallel arm with spring assisted dead stop function. Available in non-hold open and thumb turn hold open. Units can be installed to achieve either stop or stop and hold open at 85°, 90°, 100°, and 110°. Maximum opening is 110° (conditions permitting). Arm is non-handed. Non-hold open arm illustrated.

SDS — Spring stop door saver arm.

SDST — Spring stop door saver arm thumb turn hold open.

S SPRING DS — Spring stop assembly complete.



Track arm

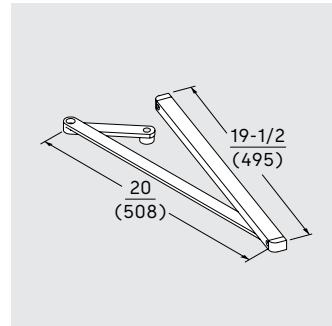
Provides slide track function for improved aesthetics and vandal resistance. Units can be installed to provide 85°, 90°, 110° or 180° of door opening (conditions and application permitting). Arm is non-handed. Also available with hold open option to provide selective single point hold open. Range of hold open and maximum opening varies with mounting application. T version illustrated.

T — Track arm complete. Can be used in T, JT and FT track applications.

TH — Track hold open arm complete. Can be used in THO, JTHO and FTTHO track applications.

PT89 — Push-side track arm complete. Used with PT track applications (closer on door, track or soffit).

PT89H — Push-side track hold open arm complete. Used with PT track applications (closer on door, track on soffit).

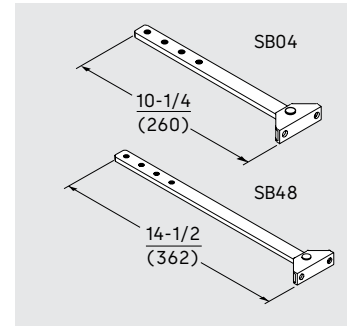


TDE Track arm

Provides slide track function for pull-side reveal conditions up to 3-1/2". Provides 125° of door opening (conditions permitting). Arm is handed. Also available with hold open option to provide selective single point hold open between 30° and 110°. Arm requires a minimum 3-3/4" clearance between door face and wall when opened 90° and greater.

TDE — Double egress track arm complete.

TDEH — Double egress hold open track arm complete.

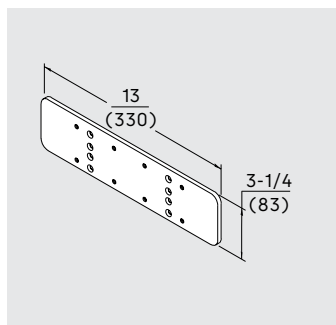


Regular arm shoe and bar

SB04 — 0"-4" (0 mm-102 mm) reveal - Shoe and bar only.

SB48 — 4"-8" (102 mm-203 mm) reveal - Shoe and bar only.

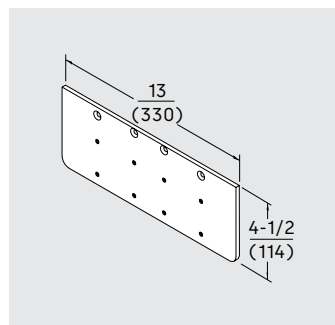
SB04 and SB48 must be used in conjunction with AMF89. Non-handed.



Backplate

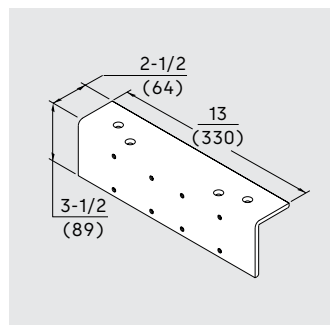
BP89 — For mounting top jamb when frame face is less than 2-7/8" (73 mm). Two sets of mounting holes accommodate 1-3/4" (44 mm) or 3-1/4" (83 mm) minimum ceiling clearance.* Top set of holes create top jamb drop application to clear a surface applied stop/holder.

Can also be used for regular mount closer to clear mortised stop/holder.



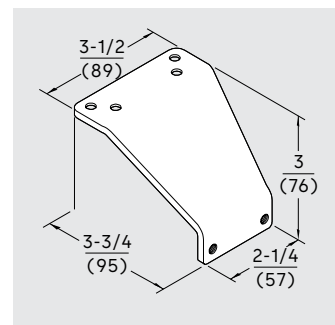
Drop plate

DP89 — For parallel arm installation of 8900 Series closers when top door rail is less than 5-3/4" (146 mm) for non-hold open and plunger hold open. When top door rail is less than 6" (152 mm) for friction applications (assuming 5/8" (16 mm) stop dimension).



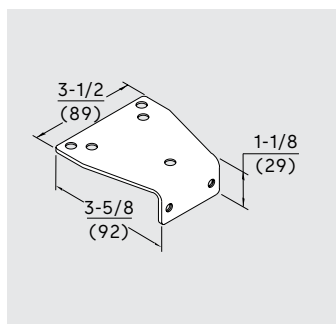
Angle bracket

AB89 — For installation of 8900 Series closers where parallel arm and top jamb applications are not practical due to low overhead ceiling clearance, narrow frame face, or unusual trim conditions. This bracket can also be used to provide clearance for a surface-applied stop/holder.



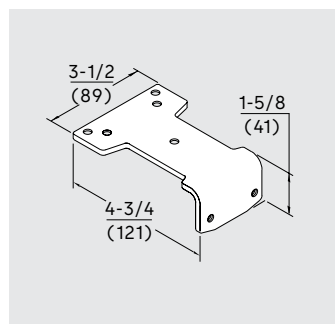
Drop bracket

PD — For 8900 Series closer non-hold open parallel arm applications to clear a surface-applied stop/holder.



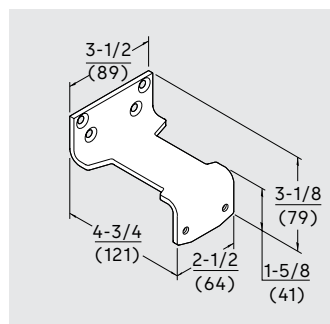
Bracket

P89 — Furnished standard with 8900 P Series closer non-hold open and plunger hold open parallel arm applications. Spacer block furnished standard for use with narrow stop applications.



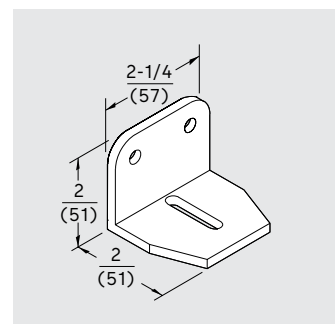
Parallel hold open bracket

PHB — Furnished standard with 8900 FHP Series closer friction hold open parallel arm applications. Spacer block furnished standard for use with narrow stop applications.



Parallel flush transom bracket

PFT — For all 8900 Series closer hold open and non-hold open parallel arm installations where flush transom conditions prohibit use of P89 or PHB bracket.

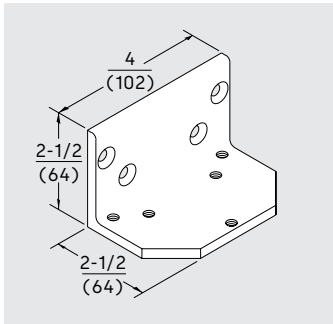


Narrow frame bracket

NFHD — For use with all 8900 Series DS and SPA applications where total frame depth is less than 4-1/2" (114 mm), prohibiting use of standard spacer block. NFHD bracket is used in lieu of block supplied with arm.

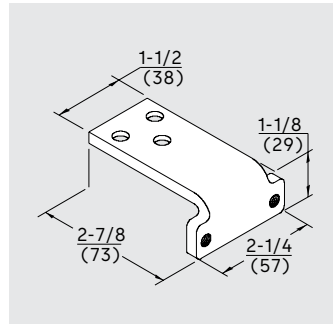
*Overhead ceiling clearance is measured from bottom of frame face to ceiling.

Accessories



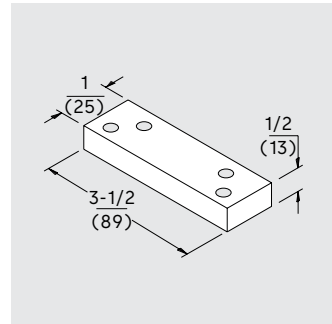
Flush transom bracket

FTHD — For use with all 8900 Series DS and SPA applications where flush transom conditions prohibit normal installation of soffit bracket.



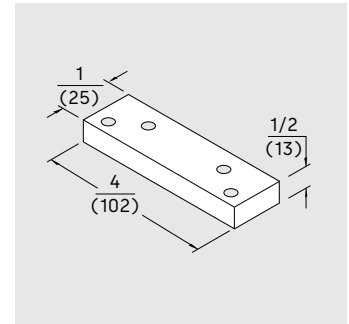
Mortised jamb bracket

MJ — For 8900 Series closers with regular mount non-hold open assemblies where frame conditions will not permit use of the standard foot, e.g. molded, bull nose, or ornate trim. Permits use of parallel arm application between twin communicating doors where limited space prohibits use of P89 bracket. Flat form arm applications must use MJ in combination with AF8MJ Arm.



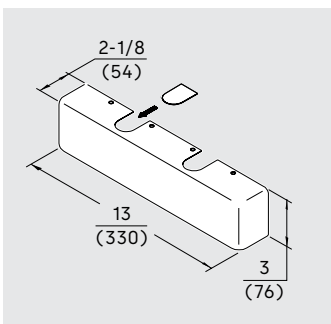
Blade stop spacer

BS — For use with all 8900 Series P89, PD, and PHB applications installed on cased frames with applied blade stops. This block is used in conjunction with the spacer furnished with the arm to provide adequate clearance for the blade stop.



Heavy-duty blade stop spacer

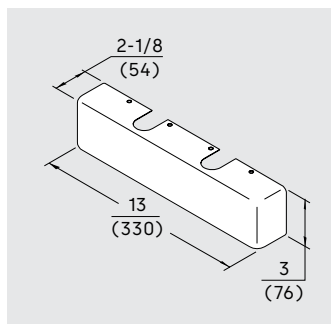
BSHD — For use with all 8900 Series DS and SPA applications installed on cased frames with applied blade stops. This block is used in conjunction with the spacer furnished with the arm to provide adequate clearance for the blade stop.



Full plastic cover

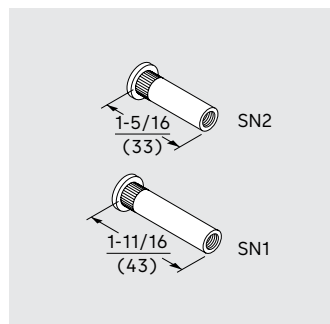
FC — Full plastic cover with interchangeable tab.

FCSL — Full plastic slotted cover with interchangeable tab. Mounting holes slotted for low ceiling conditions.



Full metal cover

FMC — Full metal cover. Specify hand for top jamb, T track, and FT track applications.

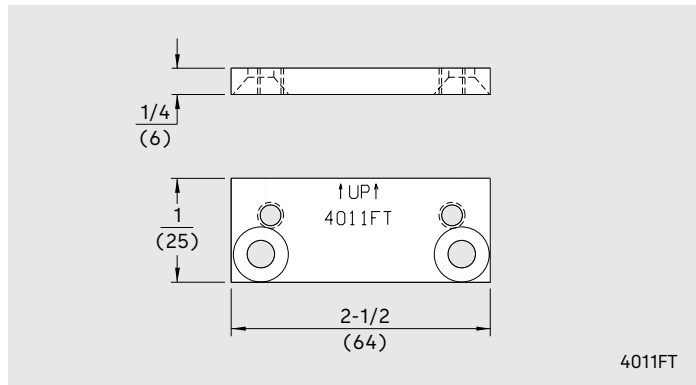
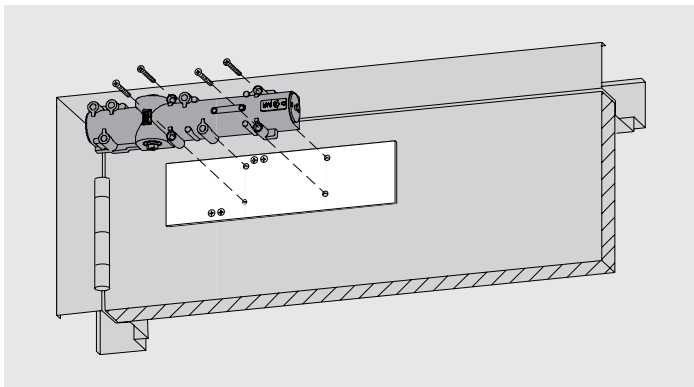


Sex nuts

SN1 — Sex nuts for 1-3/4" (44 mm) door.

SN2 — Sex nuts for 1-3/8" (35 mm) door.

Required for use on unreinforced doors and wood or composite labeled fire doors for securely attaching hardware to the door.



4011FT

Conversion plates

4040R — Conversion plate utilizes **LCN 4040 Reg. 120°** holes for attachment to the door. The frame face will require drilling and tapping two holes for the arm shoe assembly. The dormakaba 8900 Series closer will open a full 180° at this location.

4040P — Conversion plate utilizes **LCN 4040 PA 180°** holes for attachment to the door. The frame will require drilling and tapping four holes for the dormakaba 960R soffit bracket. The dormakaba 8900 Series closer will open a full 180° at this location.

4040C — Conversion plate utilizes **LCN 4040 Cush 90°** holes for attachment to the door. Requires drilling and tapping five holes in the frame for the dormakaba **DS** soffit bracket.

4040E — Conversion plate utilizes **LCN 4040 EDA 180°** holes for attachment to the door. Requires drilling and tapping five holes in the frame for the **SPA** soffit bracket.

4011 — Conversion plate utilizes **LCN 4011 Reg. 90°** or **LCN 4011 Reg. 140°** holes for attachment to the door. The frame face will require drilling and tapping two holes for the arm shoe assembly.

4111 — Conversion plate utilizes **LCN 4111 PA 90°** or **LCN 4111 PA 180°** holes for attachment to the door. Requires drilling and tapping five holes in the frame for the dormakaba **SPA** soffit bracket.

4020 — Conversion plate utilizes **LCN 4020 TJ 100°** or **LCN 4020 TJ 180°** holes for attachment to the frame face. The door will require drilling and tapping two holes for the arm shoe assembly.

7500R — Conversion plate utilizes **Norton 7500 Reg. 90°** or **Norton 7500 Reg. 180°** holes for attachment to the door. The arm shoe attaches using the existing Norton arm shoe preparation.

P7500 — Conversion plate utilizes **Norton P7500 PA 90°** or **Norton P7500 PA 180°** holes for attaching the closer body to the door. The soffit bracket attaches using the existing Norton soffit bracket preparation.

8300/8500 — Conversion plate utilizes **Norton 8300** and **8500** regular and parallel arm holes for attachment to the door. Regular arm shoe and parallel arm soffit bracket attachments use the existing Norton preparation.

4011FT — Optional arm shoe conversion plate used with 4040R, 4011, or 4020 for applications in which redrilling is not desirable.

89/DC220R — Conversion plate utilizes **Corbin/Ruswin DC2200** regular arm mounting holes for attaching the closer body to the door. Arm shoe attaches using the existing C/R mounting holes.

89SPA/DC2210PA — Conversion plate utilizes **Corbin/Ruswin DC2210** heavy duty parallel arm mount holes for attaching the closer body to the door. The soffit bracket would need new holes prepared in the soffit to utilize the dormakaba **SPA** plate.

8980R/PA — Conversion plate utilizes **dormakaba TS83** regular or parallel arm template holes to mount the closer to the door. For parallel arm, the parallel bracket can either remain or be replaced with a new P89 standard parallel arm bracket.

Our Sustainability Commitment

We are committed to foster a sustainable development along our entire value chain in line with our economic, environmental and social responsibilities toward current and future generations. Sustainability at product level is an important, future-oriented approach in the field of construction. In order to give quantified disclosures of a product's environmental impact through its entire life cycle, dormakaba provides Environmental Product Declarations (EPD), based on holistic life cycle assessments. <https://www.dormakabagroup.com/en/sustainability/product-declarations>.

Our offering

Access Automation Solutions

Entrance Automation
Entrance Security



Access Control Solutions

Electronic Access & Data
Escape and Rescue Systems
Lodging Systems



Access Hardware Solutions

Door Closers
Architectural Hardware
Mechanical Key Systems



Services

Technical Support
Installation and commissioning
Maintenance and Repair



Key & Wall Solutions

Key Systems
Movable / Sliding Walls



Safe Locks

Electronic Safe Locks
Mechanical Safe Locks
Boltworks and Accessories



Glass systems

Manual door systems
Glass fittings
Horizontal Sliding Walls



DHW_1680_BR_EN CEI 0325
Subject to change without notice

dormakaba USA Inc.
6161 E 75th Street
Indianapolis, IN 46250
1-800-523-8483
dormakaba.us



dormakaba.com